

## Stainless Steel-Levelling feet

with rubber pad

### SPECIFICATION

#### Types (Base plate)

- Type **B1**: matt shot-blasted, rubber inlaid, black
- Type **B2**: matt shot-blasted, rubber inlaid, white
- Type **B3**: matt shot-blasted, rubber vulcanised, black
- Type **B4**: matt shot-blasted, rubber vulcanised, white
- Type **C3**: polished, rubber vulcanised, black
- Type **C4**: polished, rubber vulcanised, white

#### Version

- Version **S**: without nut, external hexagon at the bottom
- Version **SK**: with nut, external hexagon at the bottom
- Version **T**: without nut, wrench flat at the bottom
- Version **TK**: with nut, wrench flat at the bottom
- Version **U**: without nut, hexagon socket at the top, wrench flat at the bottom
- Version **UK**: with nut, hexagon at the top, wrench flat at the bottom
- Version **V**: without nut, external hexagon at the top, wrench flat at the bottom
- Version **VK**: with nut, external hexagon socket at the top, wrench flat at the bottom
- Version **W**: with adjustable sleeve, covered thread, wrench flat at the bottom
- Version **X**: with female thread, external hexagon

Base plate, blank ground  
Stainless Steel AISI 304

Threaded stem  
Stainless Steel AISI 303

Hexagon nut ISO 4032  
Stainless Steel AISI 304

Rubber underlay, inlaid  
- black: Perbunan® (NBR) 80±5 Shore A  
- white: Perbunan® (CTP) 80±5 Shore A

Rubber underlay, vulcanised  
- black: Perbunan® (NBR) 80±5 Shore A  
- white: Perbunan® (NBR) 80±5 Shore A

### INFORMATION

GN 31 Stainless Steel-Levelling feet with vulcanised rubber (Type B3, B4, C3 and C4) and screw version W feature fewer dead spots owing to their construction method and are also easier to clean.

Stainless Steel-Levelling feet GN 31 will be delivered mounted and are not removable.

### TECHNICAL INFORMATION

- Stainless Steel characteristics (see page A26)
- Elastomer characteristics (see page A32)

### LOAD RATING OF STAINLESS STEEL-LEVELLING FEET

#### Information

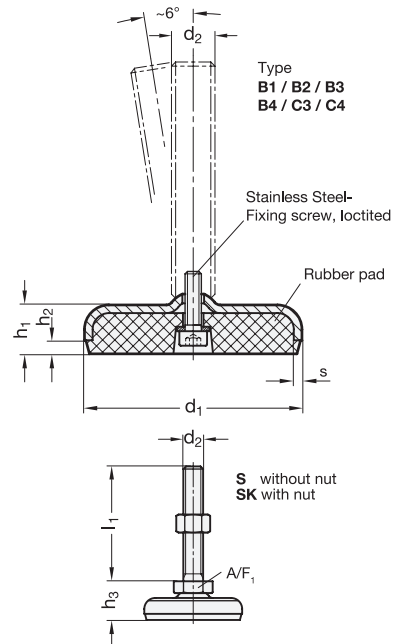
The static load bearing capacity given in the table rests on a test series in which the load has been applied perpendicular to the base plate (without rubber pad). For the values given in the table, the strain relief may result in minor deformations of the base plate.

Bending and buckling stress which often occurs in practice results in a lower load bearing capacity of the adjustment spindle and may have to be taken into account.

Also, the spindle strength is assumed to be  $\geq 500 \text{ N/mm}^2$ .

The details given on strength are nonbinding guide values without any liability. In general, they do not constitute a warranty of quality.

The user must determine from case to case if a product is suitable for the intended purpose or use. Environmental factors may influence the stated values.





Levelling elements 11

\* Complete with version of the Levelling feet (External hexagon at the bottom)

**S** without nut  
**SK** with nut

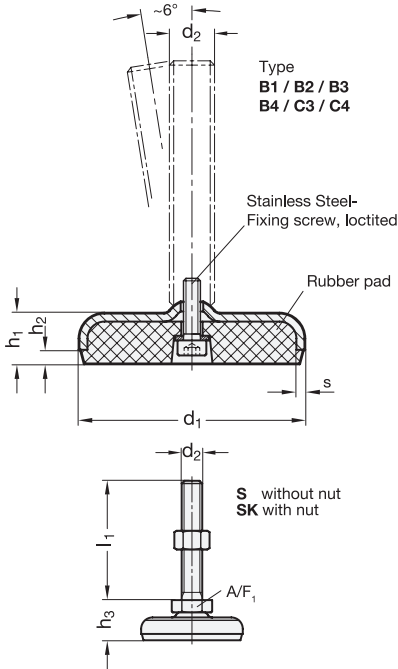
**GN 31-S/SK STAINLESS STEEL**

Description	d1	d2	l1	h1	h2	h3 +0.4/0	s	A/F1	Static load in kN	
GN 31-50-M8-40-B1.*	50	M 8	40	14.5	3.5	23	3	17	8	109
GN 31-50-M8-40-B2.*	50	M 8	40	14.5	3.5	23	3	17	8	100
GN 31-50-M8-50-B1.*	50	M 8	50	14.5	3.5	23	3	17	8	109
GN 31-50-M8-50-B2.*	50	M 8	50	14.5	3.5	23	3	17	8	105
GN 31-50-M8-63-B1.*	50	M 8	63	14.5	3.5	23	3	17	8	112
GN 31-50-M8-63-B2.*	50	M 8	63	14.5	3.5	23	3	17	8	110
GN 31-50-M10-50-B1.*	50	M 10	50	14.5	3.5	23	3	17	14	121
GN 31-50-M10-50-B2.*	50	M 10	50	14.5	3.5	23	3	17	14	115
GN 31-50-M10-60-B1.*	50	M 10	60	14.5	3.5	23	3	17	14	125
GN 31-50-M10-60-B2.*	50	M 10	60	14.5	3.5	23	3	17	14	117
GN 31-50-M10-80-B1.*	50	M 10	80	14.5	3.5	23	3	17	14	136
GN 31-50-M10-80-B2.*	50	M 10	80	14.5	3.5	23	3	17	14	130
GN 31-50-M10-100-B1.*	50	M 10	100	14.5	3.5	23	3	17	14	145
GN 31-50-M10-100-B2.*	50	M 10	100	14.5	3.5	23	3	17	14	140
GN 31-50-M12-60-B1.*	50	M 12	60	14.5	3.5	23	3	17	20	150
GN 31-50-M12-60-B2.*	50	M 12	60	14.5	3.5	23	3	17	20	145
GN 31-50-M12-80-B1.*	50	M 12	80	14.5	3.5	23	3	17	20	160
GN 31-50-M12-80-B2.*	50	M 12	80	14.5	3.5	23	3	17	20	155
GN 31-50-M12-100-B1.*	50	M 12	100	14.5	3.5	23	3	17	20	172
GN 31-50-M12-100-B2.*	50	M 12	100	14.5	3.5	23	3	17	20	167
GN 31-50-M12-125-B1.*	50	M 12	125	14.5	3.5	23	3	17	20	183
GN 31-50-M12-125-B2.*	50	M 12	125	14.5	3.5	23	3	17	20	180
GN 31-60-M8-40-B1.*	60	M 8	40	16	4	24	3	17	8	140
GN 31-60-M8-40-B2.*	60	M 8	40	16	4	24	3	17	8	130
GN 31-60-M8-40-B3.*	60	M 8	40	16	4	24	3	17	8	144
GN 31-60-M8-40-B4.*	60	M 8	40	16	4	24	3	17	8	144
GN 31-60-M8-40-C3.*	60	M 8	40	16	4	24	3	17	8	144
GN 31-60-M8-40-C4.*	60	M 8	40	16	4	24	3	17	8	144
GN 31-60-M8-50-B1.*	60	M 8	50	16	4	24	3	17	8	144
GN 31-60-M8-50-B2.*	60	M 8	50	16	4	24	3	17	8	140
GN 31-60-M8-50-B3.*	60	M 8	50	16	4	24	3	17	8	144
GN 31-60-M8-50-B4.*	60	M 8	50	16	4	24	3	17	8	144
GN 31-60-M8-50-C3.*	60	M 8	50	16	4	24	3	17	8	144
GN 31-60-M8-50-C4.*	60	M 8	50	16	4	24	3	17	8	144
GN 31-60-M8-63-B1.*	60	M 8	63	16	4	24	3	17	8	150
GN 31-60-M8-63-B2.*	60	M 8	63	16	4	24	3	17	8	144
GN 31-60-M8-63-B3.*	60	M 8	63	16	4	24	3	17	8	150
GN 31-60-M8-63-B4.*	60	M 8	63	16	4	24	3	17	8	150
GN 31-60-M8-63-C3.*	60	M 8	63	16	4	24	3	17	8	150
GN 31-60-M8-63-C4.*	60	M 8	63	16	4	24	3	17	8	150
GN 31-60-M10-50-B1.*	60	M 10	50	16	4	24	3	17	14	160
GN 31-60-M10-50-B2.*	60	M 10	50	16	4	24	3	17	14	150
GN 31-60-M10-50-B3.*	60	M 10	50	16	4	24	3	17	14	160
GN 31-60-M10-50-B4.*	60	M 10	50	16	4	24	3	17	14	160
GN 31-60-M10-50-C3.*	60	M 10	50	16	4	24	3	17	14	170
GN 31-60-M10-50-C4.*	60	M 10	50	16	4	24	3	17	14	160
GN 31-60-M10-60-B1.*	60	M 10	60	16	4	24	3	17	14	170
GN 31-60-M10-60-B2.*	60	M 10	60	16	4	24	3	17	14	170
GN 31-60-M10-60-B3.*	60	M 10	60	16	4	24	3	17	14	170
GN 31-60-M10-60-B4.*	60	M 10	60	16	4	24	3	17	14	170
GN 31-60-M10-60-C3.*	60	M 10	60	16	4	24	3	17	14	180
GN 31-60-M10-60-C4.*	60	M 10	60	16	4	24	3	17	14	160
GN 31-60-M10-80-B1.*	60	M 10	80	16	4	24	3	17	14	180
GN 31-60-M10-80-B2.*	60	M 10	80	16	4	24	3	17	14	180
GN 31-60-M10-80-B3.*	60	M 10	80	16	4	24	3	17	14	180
GN 31-60-M10-80-B4.*	60	M 10	80	16	4	24	3	17	14	180
GN 31-60-M10-80-C3.*	60	M 10	80	16	4	24	3	17	14	190
GN 31-60-M10-80-C4.*	60	M 10	80	16	4	24	3	17	14	170

**GN 31-S/SK**

**STAINLESS STEEL**

Description	d1	d2	l1	h1	h2	h3 +0.4/0	s	A/F1	Static load in kN	
GN 31-60-M10-100-B1.*	60	M 10	100	16	4	24	3	17	14	190
GN 31-60-M10-100-B2.*	60	M 10	100	16	4	24	3	17	14	190
GN 31-60-M10-100-B3.*	60	M 10	100	16	4	24	3	17	14	190
GN 31-60-M10-100-B4.*	60	M 10	100	16	4	24	3	17	14	190
GN 31-60-M10-100-C3.*	60	M 10	100	16	4	24	3	17	14	181
GN 31-60-M10-100-C4.*	60	M 10	100	16	4	26	3	17	14	175
GN 31-60-M12-60-B1.*	60	M 12	60	16	4	24	3	17	20	181
GN 31-60-M12-60-B2.*	60	M 12	60	16	4	24	3	17	20	181
GN 31-60-M12-60-B3.*	60	M 12	60	16	4	24	3	17	20	181
GN 31-60-M12-60-B4.*	60	M 12	60	16	4	24	3	17	20	181
GN 31-60-M12-60-C3.*	60	M 12	60	16	4	24	3	17	20	200
GN 31-60-M12-60-C4.*	60	M 12	60	16	4	24	3	17	20	181
GN 31-60-M12-80-B1.*	60	M 12	80	16	4	24	3	17	20	200
GN 31-60-M12-80-B2.*	60	M 12	80	16	4	24	3	17	20	200
GN 31-60-M12-80-B3.*	60	M 12	80	16	4	24	3	17	20	200
GN 31-60-M12-80-B4.*	60	M 12	80	16	4	24	3	17	20	200
GN 31-60-M12-80-C3.*	60	M 12	80	16	4	24	3	17	20	220
GN 31-60-M12-80-C4.*	60	M 12	80	16	4	24	3	17	20	200
GN 31-60-M12-100-B1.*	60	M 12	100	16	4	24	3	17	20	220
GN 31-60-M12-100-B2.*	60	M 12	100	16	4	24	3	17	20	220
GN 31-60-M12-100-B3.*	60	M 12	100	16	4	24	3	17	20	220
GN 31-60-M12-100-B4.*	60	M 12	100	16	4	24	3	17	20	220
GN 31-60-M12-100-C3.*	60	M 12	100	16	4	24	3	17	20	230
GN 31-60-M12-100-C4.*	60	M 12	100	16	4	24	3	17	20	200
GN 31-60-M12-125-B1.*	60	M 12	125	16	4	24	3	17	20	230
GN 31-60-M12-125-B2.*	60	M 12	125	16	4	24	3	17	20	230
GN 31-60-M12-125-B3.*	60	M 12	125	16	4	24	3	17	20	230
GN 31-60-M12-125-B4.*	60	M 12	125	16	4	24	3	17	20	230
GN 31-60-M12-125-C3.*	60	M 12	125	18	5	24	3	17	20	172
GN 31-60-M12-125-C4.*	60	M 12	125	18	5	24	3	17	20	160
GN 31-80-M8-40-B1.*	80	M 8	40	18	5	26	3	17	8	172
GN 31-80-M8-40-B2.*	80	M 8	40	18	5	26	3	17	8	172
GN 31-80-M8-40-B3.*	80	M 8	40	18	5	26	3	17	8	172
GN 31-80-M8-40-B4.*	80	M 8	40	18	5	26	3	17	8	172
GN 31-80-M8-40-C3.*	80	M 8	40	18	5	26	3	17	8	173
GN 31-80-M8-40-C4.*	80	M 8	40	18	5	26	3	17	8	176
GN 31-80-M8-50-B1.*	80	M 8	50	18	5	26	3	17	8	176
GN 31-80-M8-50-B2.*	80	M 8	50	18	5	26	3	17	8	176
GN 31-80-M8-50-B3.*	80	M 8	50	18	5	26	3	17	8	176
GN 31-80-M8-50-B4.*	80	M 8	50	18	5	26	3	17	8	176
GN 31-80-M8-50-C3.*	80	M 8	50	18	5	26	3	17	8	180
GN 31-80-M8-50-C4.*	80	M 8	50	18	5	26	3	17	8	175
GN 31-80-M8-63-B1.*	80	M 8	63	18	5	26	3	17	8	180
GN 31-80-M8-63-B2.*	80	M 8	63	18	5	26	3	17	8	180
GN 31-80-M8-63-B3.*	80	M 8	63	18	5	26	3	17	8	180
GN 31-80-M8-63-B4.*	80	M 8	63	18	5	26	3	17	8	180
GN 31-80-M8-63-C3.*	80	M 8	63	18	5	26	3	17	8	220
GN 31-80-M8-63-C4.*	80	M 8	63	18	5	26	3	17	8	200
GN 31-80-M10-50-B1.*	80	M 10	50	18	5	26	3	17	14	220
GN 31-80-M10-50-B2.*	80	M 10	50	18	5	26	3	17	14	220
GN 31-80-M10-50-B3.*	80	M 10	50	18	5	26	3	17	14	220
GN 31-80-M10-50-B4.*	80	M 10	50	18	5	26	3	17	14	220
GN 31-80-M10-50-C3.*	80	M 10	50	18	5	26	3	17	14	260
GN 31-80-M10-50-C4.*	80	M 10	50	18	5	26	3	17	14	240
GN 31-80-M10-60-B1.*	80	M 10	60	18	5	26	3	17	14	260
GN 31-80-M10-60-B2.*	80	M 10	60	18	5	26	3	17	14	260
GN 31-80-M10-60-B3.*	80	M 10	60	18	5	26	3	17	14	260
GN 31-80-M10-60-B4.*	80	M 10	60	18	5	26	3	17	14	260
GN 31-80-M10-60-C3.*	80	M 10	60	18	5	26	3	17	14	280
GN 31-80-M10-60-C4.*	80	M 10	60	18	5	26	3	17	14	260
GN 31-80-M10-80-B1.*	80	M 10	80	18	5	26	3	17	14	280
GN 31-80-M10-80-B2.*	80	M 10	80	18	5	26	3	17	14	280
GN 31-80-M10-80-B3.*	80	M 10	80	1						



\* Complete with version of the Levelling feet (External hexagon at the bottom)

S without nut  
SK with nut

GN 31-S/SK STAINLESS STEEL

Description	d1	d2	l1	h1	h2	h3 +0.4/0	s	A/F1	Static load in kN	⚖
GN 31-80-M10-100-B1-*	80	M 10	100	18	5	26	3	17	14	290
GN 31-80-M10-100-B2-*	80	M 10	100	18	5	26	3	17	14	290
GN 31-80-M10-100-B3-*	80	M 10	100	18	5	26	3	17	14	290
GN 31-80-M10-100-B4-*	80	M 10	100	18	5	26	3	17	14	290
GN 31-80-M10-100-C3-*	80	M 10	100	18	5	26	3	17	14	300
GN 31-80-M10-100-C4-*	80	M 10	100	18	5	26	3	17	14	295
GN 31-80-M12-60-B1-*	80	M 12	60	18	5	26	3	17	19	300
GN 31-80-M12-60-B2-*	80	M 12	60	18	5	26	3	17	15	300
GN 31-80-M12-60-B3-*	80	M 12	60	18	5	26	3	17	19	300
GN 31-80-M12-60-B4-*	80	M 12	60	18	5	26	3	17	15	300
GN 31-80-M12-60-C3-*	80	M 12	60	18	5	26	3	17	19	320
GN 31-80-M12-60-C4-*	80	M 12	60	18	5	26	3	17	15	300
GN 31-80-M12-80-B1-*	80	M 12	80	18	5	26	3	17	19	320
GN 31-80-M12-80-B2-*	80	M 12	80	18	5	26	3	17	15	320
GN 31-80-M12-80-B3-*	80	M 12	80	18	5	26	3	17	19	320
GN 31-80-M12-80-B4-*	80	M 12	80	18	5	26	3	17	15	320
GN 31-80-M12-80-C3-*	80	M 12	80	18	5	26	3	17	19	330
GN 31-80-M12-80-C4-*	80	M 12	80	18	5	26	3	17	15	325
GN 31-80-M12-100-B1-*	80	M 12	100	18	5	26	3	17	19	330
GN 31-80-M12-100-B2-*	80	M 12	100	18	5	26	3	17	15	330
GN 31-80-M12-100-B3-*	80	M 12	100	18	5	26	3	17	19	330
GN 31-80-M12-100-B4-*	80	M 12	100	18	5	26	3	17	15	330
GN 31-80-M12-100-C3-*	80	M 12	100	18	5	26	3	17	19	350
GN 31-80-M12-100-C4-*	80	M 12	100	18	5	26	3	17	15	340
GN 31-80-M12-125-B1-*	80	M 12	125	18	5	26	3	17	19	350
GN 31-80-M12-125-B2-*	80	M 12	125	18	5	26	3	17	15	350
GN 31-80-M12-125-B3-*	80	M 12	125	18	5	26	3	17	19	350
GN 31-80-M12-125-B4-*	80	M 12	125	18	5	26	3	17	15	350
GN 31-80-M12-125-C3-*	80	M 12	125	20	6	28	3	17	19	290
GN 31-80-M12-125-C4-*	80	M 12	125	20	6	28	3	17	15	280
GN 31-100-M8-40-B1-*	100	M 8	40	20	6	28	3	17	8	290

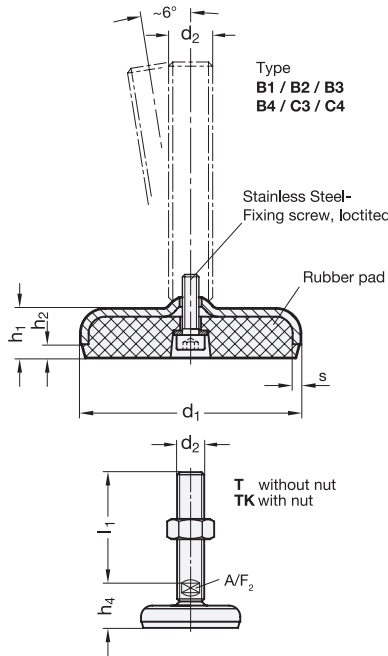
GN 31-S/SK

STAINLESS STEEL

Description	d1	d2	l1	h1	h2	h3 +0.4/0	s	A/F1	Static load in kN	⚖
GN 31-100-M8-40-B2-*	100	M 8	40	20	6	28	3	17	8	290
GN 31-100-M8-40-B3-*	100	M 8	40	20	6	28	3	17	8	280
GN 31-100-M8-40-B4-*	100	M 8	40	20	6	28	3	17	8	290
GN 31-100-M8-40-C3-*	100	M 8	40	20	6	28	3	17	8	290
GN 31-100-M8-40-C4-*	100	M 8	40	20	6	28	3	17	8	290
GN 31-100-M8-50-B1-*	100	M 8	50	20	6	28	3	17	8	290
GN 31-100-M8-50-B2-*	100	M 8	50	20	6	28	3	17	8	548
GN 31-100-M8-50-B3-*	100	M 8	50	20	6	28	3	17	8	300
GN 31-100-M8-50-B4-*	100	M 8	50	20	6	28	3	17	8	290
GN 31-100-M8-50-C3-*	100	M 8	50	20	6	28	3	17	8	300
GN 31-100-M8-50-C4-*	100	M 8	50	20	6	28	3	17	8	300
GN 31-100-M8-63-B1-*	100	M 8	63	20	6	28	3	17	8	300
GN 31-100-M8-63-B2-*	100	M 8	63	20	6	28	3	17	8	340
GN 31-100-M8-63-B3-*	100	M 8	63	20	6	28	3	17	8	320
GN 31-100-M8-63-B4-*	100	M 8	63	20	6	28	3	17	8	340
GN 31-100-M8-63-C3-*	100	M 8	63	20	6	28	3	17	8	340
GN 31-100-M8-63-C4-*	100	M 8	63	20	6	28	3	17	8	340
GN 31-100-M10-50-B1-*	100	M 10	50	20	6	28	3	17	14	340
GN 31-100-M10-50-B2-*	100	M 10	50	20	6	28	3	17	14	390
GN 31-100-M10-50-B3-*	100	M 10	50	20	6	28	3	17	14	380
GN 31-100-M10-50-B4-*	100	M 10	50	20	6	28	3	17	14	390
GN 31-100-M10-50-C3-*	100	M 10	50	20	6	28	3	17	14	390
GN 31-100-M10-50-C4-*	100	M 10	50	20	6	28	3	17	14	390
GN 31-100-M10-60-B1-*	100	M 10	60	20	6	28	3	17	14	390
GN 31-100-M10-60-B2-*	100	M 10	60	20	6	28	3	17	14	420
GN 31-100-M10-60-B3-*	100	M 10	60	20	6	28	3	17	14	400
GN 31-100-M10-60-B4-*	100	M 10	60	20	6	28	3	17	14	420
GN 31-100-M10-60-C3-*	100	M 10	60	20	6	28	3	17	14	420
GN 31-100-M10-60-C4-*	100	M 10	60	20	6	28	3	17	14	420
GN 31-100-M10-80-B1-*	100	M 10	80	20	6	28	3	17	14	420
GN 31-100-M10-80-B2-*	100	M 10	80	20	6	28	3	17	14	450
GN 31-100-M10-80-B3-*	100	M 10	80	20	6	28	3	17	14	420
GN 31-100-M10-80-B4-*	100	M 10	80	20	6	28	3	17	14	450
GN 31-100-M10-80-C3-*	100	M 10	80	20	6	28	3	17	14	450
GN 31-100-M10-80-C4-*	100	M 10	80	20	6	28	3	17	14	450
GN 31-100-M10-100-B1-*	100	M 10	100	20	6	28	3	17	14	450
GN 31-100-M10-100-B2-*	100	M 10	100	20	6	28	3	17	14	470
GN 31-100-M10-100-B3-*	100	M 10	100	20	6	28	3	17	14	460
GN 31-100-M10-100-B4-*	100	M 10	100	20	6	28	3	17	14	470
GN 31-100-M10-100-C3-*	100	M 10	100	20	6	28	3	17	14	470
GN 31-100-M10-100-C4-*	100	M 10	100	20	6	28	3	17	14	470
GN 31-100-M12-60-B1-*	100	M 12	60	20	6	28	3	17	17	470
GN 31-100-M12-60-B2-*	100	M 12	60	20	6	28	3	17	14	420
GN 31-100-M12-60-B3-*	100	M 12	60	20	6	28	3	17	17	400
GN 31-100-M12-60-B4-*	100	M 12	60	20	6	28	3	17	14	420
GN 31-100-M12-60-C3-*	100	M 12	60	20	6	28	3	17	17	420
GN 31-100-M12-60-C4-*	100	M 12	60	20	6	28	3	17	14	420
GN 31-100-M12-80-B1-*	100	M 12	80	20	6	28	3	17	17	420
GN 31-100-M12-80-B2-*	100	M 12	80	20	6	28	3	17	14	440
GN 31-100-M12-80-B3-*	100	M 12	80	20	6	28	3	17	17	420
GN 31-100-M12-80-B4-*	100	M 12	80	20	6	28	3	17	14	440
GN 31-100-M12-80-C3-*	100	M 12	80	20	6	28	3	17	17	440
GN 31-100-M12-80-C4-*	100	M 12	80	20	6	28	3	17	14	440
GN 31-100-M12-100-B1-*	100	M 12	100	20	6	28	3	17	17	440
GN 31-100-M12-100-B2-*	100	M 12	100	20	6	28	3	17	14	460
GN 31-100-M12-100-B3-*	100	M 12	100	20	6	28	3	17	17	445
GN 31-100-M12-100-B4-*	100	M 12	100	20	6	28	3	17	14	460
GN 31-100-M12-100-C3-*	100	M 12	100	20	6	28	3	17	17	460
GN 31-100-M12-100-C4-*	100	M 12	100	20	6	28	3	17	14	460
GN 31-100-M12-125-B1-*	100	M 12	125	20	6	28	3	17	17	460
GN 31-100-M12-125-B2-*	100	M 12	125	20	6	28	3	17	14	540
GN 31-100-M12-125-B3-*	100	M 12	125	20	6	28	3	17	17	520
GN 31-100-M12-125-B4-*	100	M 12	125	20	6	28	3	17	14	540
GN 31-100-M12-125-C3-*	100	M 12	125	20	6	6	3	17	17	540
GN 31-100-M12-125-C4-*	100	M 12	125	20	6	6	3	17	17	540

Weight Version S





\* Complete with version of the Levelling feet (Wrench flat at the bottom)

T without nut  
TK with nut

GN 31-T/TK STAINLESS STEEL

Description	d1	d2	l1	h1	h2	h4 +0.4/0	s	A/F 2	Static load in kN	
GN 31-50-M16-75-B1-*	50	M 16	75	16	3.5	29	3	12	28	199
GN 31-50-M16-75-B2-*	50	M 16	75	16	3.5	29	3	12	28	190
GN 31-50-M16-100-B1-*	50	M 16	100	16	3.5	29	3	12	28	199
GN 31-50-M16-100-B2-*	50	M 16	100	16	3.5	29	3	12	28	199
GN 31-50-M16-125-B1-*	50	M 16	125	16	3.5	29	3	12	28	215
GN 31-50-M16-125-B2-*	50	M 16	125	16	3.5	29	3	12	28	205
GN 31-50-M16-150-B1-*	50	M 16	150	16	3.5	29	3	12	28	240
GN 31-50-M16-150-B2-*	50	M 16	150	16	3.5	29	3	12	28	230
GN 31-50-M16-200-B1-*	50	M 16	200	16	3.5	29	3	12	28	260
GN 31-50-M16-200-B2-*	50	M 16	200	16	3.5	29	3	12	28	250
GN 31-60-M16-75-B1-*	60	M 16	75	16	4	30	3	12	28	240
GN 31-60-M16-75-B2-*	60	M 16	75	16	4	30	3	12	25	230
GN 31-60-M16-75-B3-*	60	M 16	75	16	4	30	3	12	28	290
GN 31-60-M16-75-B4-*	60	M 16	75	16	4	30	3	12	25	280
GN 31-60-M16-75-C3-*	60	M 16	75	16	4	30	3	12	28	290
GN 31-60-M16-75-C4-*	60	M 16	75	16	4	30	3	12	25	280
GN 31-60-M16-100-B1-*	60	M 16	100	16	4	30	3	12	28	310
GN 31-60-M16-100-B2-*	60	M 16	100	16	4	30	3	12	25	300
GN 31-60-M16-100-B3-*	60	M 16	100	16	4	30	3	12	28	310
GN 31-60-M16-100-B4-*	60	M 16	100	16	4	30	3	12	25	310
GN 31-60-M16-100-C3-*	60	M 16	100	16	4	30	3	12	28	310
GN 31-60-M16-100-C4-*	60	M 16	100	16	4	30	3	12	25	310
GN 31-60-M16-125-B1-*	60	M 16	125	16	4	30	3	12	28	320
GN 31-60-M16-125-B2-*	60	M 16	125	16	4	30	3	12	25	306
GN 31-60-M16-125-B3-*	60	M 16	125	16	4	30	3	12	28	320
GN 31-60-M16-125-B4-*	60	M 16	125	16	4	30	3	12	25	320
GN 31-60-M16-125-C3-*	60	M 16	125	16	4	30	3	12	28	320
GN 31-60-M16-125-C4-*	60	M 16	125	16	4	30	3	12	25	320

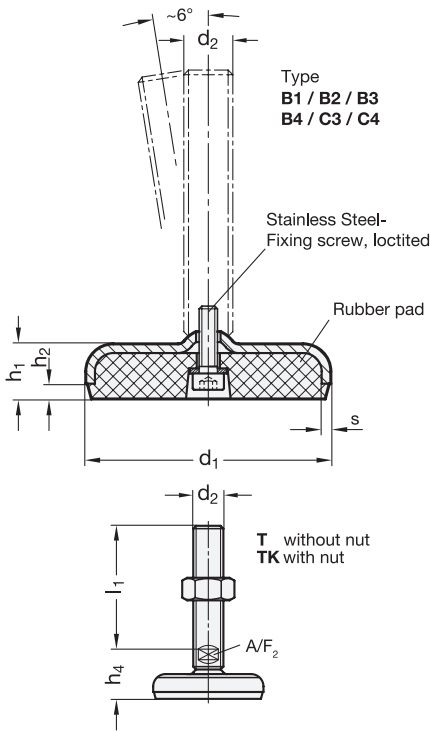
GN 31-T/TK

STAINLESS STEEL

Description	d1	d2	l1	h1	h2	h4 +0.4/0	s	A/F 2	Static load in kN	
GN 31-60-M16-150-B1-*	60	M 16	150	16	4	30	3	12	28	330
GN 31-60-M16-150-B2-*	60	M 16	150	16	4	30	3	12	25	320
GN 31-60-M16-150-B3-*	60	M 16	150	16	4	30	3	12	28	330
GN 31-60-M16-150-B4-*	60	M 16	150	16	4	30	3	12	25	330
GN 31-60-M16-150-C3-*	60	M 16	150	16	4	30	3	12	28	330
GN 31-60-M16-150-C4-*	60	M 16	150	16	4	30	3	12	25	330
GN 31-60-M16-200-B1-*	60	M 16	200	16	4	30	3	12	28	360
GN 31-60-M16-200-B2-*	60	M 16	200	16	4	30	3	12	25	350
GN 31-60-M16-200-B3-*	60	M 16	200	16	4	30	3	12	28	360
GN 31-60-M16-200-B4-*	60	M 16	200	16	4	30	3	12	25	360
GN 31-60-M16-200-C3-*	60	M 16	200	16	4	30	3	12	28	360
GN 31-60-M16-200-C4-*	60	M 16	200	16	4	30	3	12	25	360
GN 31-80-M16-75-B1-*	80	M 16	75	18	5	32	3	12	19	340
GN 31-80-M16-75-B2-*	80	M 16	75	18	5	32	3	12	15	330
GN 31-80-M16-75-B3-*	80	M 16	75	18	5	32	3	12	19	340
GN 31-80-M16-75-B4-*	80	M 16	75	18	5	32	3	12	15	340
GN 31-80-M16-75-C3-*	80	M 16	75	18	5	32	3	12	19	340
GN 31-80-M16-75-C4-*	80	M 16	75	18	5	32	3	12	15	340
GN 31-80-M16-100-B1-*	80	M 16	100	18	5	32	3	12	19	386
GN 31-80-M16-100-B2-*	80	M 16	100	18	5	32	3	12	15	380
GN 31-80-M16-100-B3-*	80	M 16	100	18	5	32	3	12	19	386
GN 31-80-M16-100-B4-*	80	M 16	100	18	5	32	3	12	15	386
GN 31-80-M16-100-C3-*	80	M 16	100	18	5	32	3	12	19	386
GN 31-80-M16-100-C4-*	80	M 16	100	18	5	32	3	12	15	386
GN 31-80-M16-125-B1-*	80	M 16	125	18	5	32	3	12	19	400
GN 31-80-M16-125-B2-*	80	M 16	125	18	5	32	3	12	15	390
GN 31-80-M16-125-B3-*	80	M 16	125	18	5	32	3	12	19	400
GN 31-80-M16-125-B4-*	80	M 16	125	18	5	32	3	12	15	400
GN 31-80-M16-125-C3-*	80	M 16	125	18	5	32	3	12	19	400

Weight Version T





\* Complete with version of the Levelling feet (Wrench flat at the bottom)

T without nut  
TK with nut

GN 31-T/TK STAINLESS STEEL

Description	d1	d2	l1	h1	h2	h4 +0.4/0	s	A/F <sub>2</sub>	Static load in kN	
GN 31-80-M16-150-B2-*	80	M 16	150	18	5	32	3	12	15	420
GN 31-80-M16-150-B3-*	80	M 16	150	18	5	32	3	12	19	440
GN 31-80-M16-150-B4-*	80	M 16	150	18	5	32	3	12	15	440
GN 31-80-M16-150-C3-*	80	M 16	150	18	5	32	3	12	19	440
GN 31-80-M16-150-C4-*	80	M 16	150	18	5	32	3	12	15	440
GN 31-80-M16-200-B1-*	80	M 16	200	18	5	32	3	12	19	500
GN 31-80-M16-200-B2-*	80	M 16	200	18	5	32	3	12	15	490
GN 31-80-M16-200-B3-*	80	M 16	200	18	5	32	3	12	19	500
GN 31-80-M16-200-B4-*	80	M 16	200	18	5	32	3	12	15	500
GN 31-80-M16-200-C3-*	80	M 16	200	18	5	32	3	12	19	500
GN 31-80-M16-200-C4-*	80	M 16	200	18	5	32	3	12	15	500
GN 31-80-M20-75-B1-*	80	M 20	75	18	5	33	3	15	19	440
GN 31-80-M20-75-B2-*	80	M 20	75	18	5	33	3	15	15	430
GN 31-80-M20-75-B3-*	80	M 20	75	18	5	33	3	15	19	440
GN 31-80-M20-75-B4-*	80	M 20	75	18	5	33	3	15	15	440
GN 31-80-M20-75-C3-*	80	M 20	75	18	5	33	3	15	19	440
GN 31-80-M20-75-C4-*	80	M 20	75	18	5	33	3	15	15	440
GN 31-80-M20-100-B1-*	80	M 20	100	18	5	33	3	15	19	460
GN 31-80-M20-100-B2-*	80	M 20	100	18	5	33	3	15	15	450
GN 31-80-M20-100-B3-*	80	M 20	100	18	5	33	3	15	19	460
GN 31-80-M20-100-B4-*	80	M 20	100	18	5	33	3	15	19	460

GN 31-T/TK STAINLESS STEEL

Description	d1	d2	l1	h1	h2	h4 +0.4/0	s	A/F <sub>2</sub>	Static load in kN	
GN 31-80-M16-125-C4-*	80	M 16	125	18	5	32	3	12	15	400
GN 31-80-M16-150-B1-*	80	M 16	150	18	5	32	3	12	19	440
GN 31-80-M20-100-B4-*	80	M 20	100	18	5	33	3	15	15	460
GN 31-80-M20-100-C3-*	80	M 20	100	18	5	33	3	15	19	460
GN 31-80-M20-100-C4-*	80	M 20	100	18	5	33	3	15	15	460
GN 31-80-M20-125-B1-*	80	M 20	125	18	5	33	3	15	19	570
GN 31-80-M20-125-B2-*	80	M 20	125	18	5	33	3	15	15	500
GN 31-80-M20-125-B3-*	80	M 20	125	18	5	33	3	15	19	570
GN 31-80-M20-125-B4-*	80	M 20	125	18	5	33	3	15	15	570
GN 31-80-M20-125-C3-*	80	M 20	125	18	5	33	3	15	19	570
GN 31-80-M20-125-C4-*	80	M 20	125	18	5	33	3	15	15	570
GN 31-80-M20-150-B1-*	80	M 20	150	18	5	33	3	15	19	580
GN 31-80-M20-150-B2-*	80	M 20	150	18	5	33	3	15	15	570
GN 31-80-M20-150-B3-*	80	M 20	150	18	5	33	3	15	19	580
GN 31-80-M20-150-B4-*	80	M 20	150	18	5	33	3	15	15	580
GN 31-80-M20-150-C3-*	80	M 20	150	18	5	33	3	15	19	580
GN 31-80-M20-150-C4-*	80	M 20	150	18	5	33	3	15	15	580
GN 31-80-M20-200-B1-*	80	M 20	200	18	5	33	3	15	19	669
GN 31-80-M20-200-B2-*	80	M 20	200	18	5	33	3	15	15	650
GN 31-80-M20-200-B3-*	80	M 20	200	18	5	33	3	15	19	669
GN 31-80-M20-200-B4-*	80	M 20	200	18	5	33	3	15	15	669
GN 31-80-M20-200-C3-*	80	M 20	200	18	5	33	3	15	19	669
GN 31-80-M20-200-C4-*	80	M 20	200	18	5	33	3	15	15	669
GN 31-80-M24-100-B1-*	80	M 24	100	18	5	36	3	19	19	579
GN 31-80-M24-100-B2-*	80	M 24	100	18	5	36	3	19	15	570
GN 31-80-M24-100-B3-*	80	M 24	100	18	5	36	3	19	19	579
GN 31-80-M24-100-B4-*	80	M 24	100	18	5	36	3	19	15	579
GN 31-80-M24-100-C3-*	80	M 24	100	18	5	36	3	19	19	579
GN 31-80-M24-100-C4-*	80	M 24	100	18	5	36	3	19	15	579
GN 31-80-M24-125-B1-*	80	M 24	125	18	5	36	3	19	19	701
GN 31-80-M24-125-B2-*	80	M 24	125	18	5	36	3	19	15	657
GN 31-80-M24-125-B3-*	80	M 24	125	18	5	36	3	19	19	701
GN 31-80-M24-125-B4-*	80	M 24	125	18	5	36	3	19	15	701
GN 31-80-M24-125-C3-*	80	M 24	125	18	5	36	3	19	19	574
GN 31-80-M24-125-C4-*	80	M 24	125	18	5	36	3	19	15	701
GN 31-80-M24-150-B1-*	80	M 24	150	18	5	36	3	19	19	710
GN 31-80-M24-150-B2-*	80	M 24	150	18	5	36	3	19	15	657
GN 31-80-M24-150-B3-*	80	M 24	150	18	5	36	3	19	19	710
GN 31-80-M24-150-B4-*	80	M 24	150	18	5	36	3	19	15	710
GN 31-80-M24-150-C3-*	80	M 24	150	18	5	36	3	19	19	710
GN 31-80-M24-150-C4-*	80	M 24	150	18	5	36	3	19	15	710
GN 31-80-M24-200-B1-*	80	M 24	200	18	5	36	3	19	19	730
GN 31-80-M24-200-B2-*	80	M 24	200	18	5	36	3	19	15	700
GN 31-80-M24-200-B3-*	80	M 24	200	18	5	36	3	19	19	730
GN 31-80-M24-200-B4-*	80	M 24	200	18	5	36	3	19	15	730
GN 31-80-M24-200-C3-*	80	M 24	200	18	5	36	3	19	19	730
GN 31-80-M24-200-C4-*	80	M 24	200	18	5	36	3	19	15	730

Weight Version T



\* Complete with version of the Levelling feet (Wrench flat at the bottom)

T without nut  
TK with nut

GN 31-T/TK

STAINLESS STEEL

Description	d1	d2	l1	h1	h2	h4 +0.4/0	s	A/F 2	Static load in kN	
GN 31-100-M16-75-B1-*	100	M 16	75	20	6	34	3	12	17	483
GN 31-100-M16-75-B2-*	100	M 16	75	20	6	34	3	12	14	360
GN 31-100-M16-75-B3-*	100	M 16	75	20	6	34	3	12	17	483
GN 31-100-M16-75-B4-*	100	M 16	75	20	6	34	3	12	14	483
GN 31-100-M16-75-C3-*	100	M 16	75	20	6	34	3	12	17	483
GN 31-100-M16-75-C4-*	100	M 16	75	20	6	34	3	12	14	483
GN 31-100-M16-100-B1-*	100	M 16	100	20	6	34	3	12	17	520
GN 31-100-M16-100-B2-*	100	M 16	100	20	6	34	3	12	14	480
GN 31-100-M16-100-B3-*	100	M 16	100	20	6	34	3	12	17	520
GN 31-100-M16-100-B4-*	100	M 16	100	20	6	34	3	12	14	520
GN 31-100-M16-100-C3-*	100	M 16	100	20	6	34	3	12	17	520
GN 31-100-M16-100-C4-*	100	M 16	100	20	6	34	3	12	14	520
GN 31-100-M16-125-B1-*	100	M 16	125	20	6	34	3	12	17	570
GN 31-100-M16-125-B2-*	100	M 16	125	20	6	34	3	12	14	550
GN 31-100-M16-125-B3-*	100	M 16	125	20	6	34	3	12	17	570
GN 31-100-M16-125-B4-*	100	M 16	125	20	6	34	3	12	14	570
GN 31-100-M16-125-C3-*	100	M 16	125	20	6	34	3	12	17	570
GN 31-100-M16-125-C4-*	100	M 16	125	20	6	34	3	12	14	570
GN 31-100-M16-150-B1-*	100	M 16	150	20	6	34	3	12	17	600
GN 31-100-M16-150-B2-*	100	M 16	150	20	6	34	3	12	14	580
GN 31-100-M16-150-B3-*	100	M 16	150	20	6	34	3	12	17	600
GN 31-100-M16-150-B4-*	100	M 16	150	20	6	34	3	12	14	600
GN 31-100-M16-150-C3-*	100	M 16	150	20	6	34	3	12	17	600
GN 31-100-M16-150-C4-*	100	M 16	150	20	6	34	3	12	14	600
GN 31-100-M16-200-B1-*	100	M 16	200	20	6	34	3	12	17	630
GN 31-100-M16-200-B2-*	100	M 16	200	20	6	34	3	12	14	610
GN 31-100-M16-200-B3-*	100	M 16	200	20	6	34	3	12	17	630
GN 31-100-M16-200-B4-*	100	M 16	200	20	6	34	3	12	14	630
GN 31-100-M16-200-C3-*	100	M 16	200	20	6	34	3	12	17	630
GN 31-100-M16-200-C4-*	100	M 16	200	20	6	35	3	12	14	630
GN 31-100-M20-75-B1-*	100	M 20	75	20	6	35	3	15	17	707
GN 31-100-M20-75-B2-*	100	M 20	75	20	6	35	3	15	14	620
GN 31-100-M20-75-B3-*	100	M 20	75	20	6	35	3	15	17	707
GN 31-100-M20-75-B4-*	100	M 20	75	20	6	35	3	15	14	707
GN 31-100-M20-75-C3-*	100	M 20	75	20	6	35	3	15	17	707
GN 31-100-M20-75-C4-*	100	M 20	75	20	6	35	3	15	14	707
GN 31-100-M20-100-B1-*	100	M 20	100	20	6	35	3	15	17	740
GN 31-100-M20-100-B2-*	100	M 20	100	20	6	35	3	15	14	700
GN 31-100-M20-100-B3-*	100	M 20	100	20	6	35	3	15	17	740
GN 31-100-M20-100-B4-*	100	M 20	100	20	6	35	3	15	14	740
GN 31-100-M20-100-C3-*	100	M 20	100	20	6	35	3	15	17	740
GN 31-100-M20-100-C4-*	100	M 20	100	20	6	35	3	15	14	740
GN 31-100-M20-125-B1-*	100	M 20	125	20	6	35	3	15	17	816
GN 31-100-M20-125-B2-*	100	M 20	125	20	6	35	3	15	14	729
GN 31-100-M20-125-B3-*	100	M 20	125	20	6	35	3	15	17	816
GN 31-100-M20-125-B4-*	100	M 20	125	20	6	35	3	15	14	816
GN 31-100-M20-125-C3-*	100	M 20	125	20	6	35	3	15	17	816
GN 31-100-M20-125-C4-*	100	M 20	125	20	6	35	3	15	14	816
GN 31-100-M20-150-B1-*	100	M 20	150	20	6	35	3	15	17	830

GN 31-T/TK

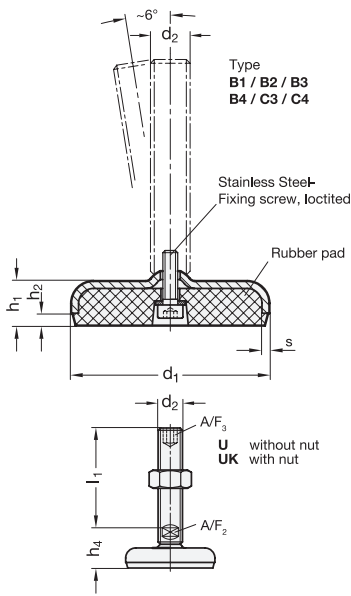
STAINLESS STEEL

Description	d1	d2	l1	h1	h2	h4 +0.4/0	s	A/F 2	Static load in kN	
GN 31-100-M20-150-B2-*	100	M 20	150	20	6	35	3	15	14	780
GN 31-100-M20-150-B3-*	100	M 20	150	20	6	35	3	15	17	830
GN 31-100-M20-150-B4-*	100	M 20	150	20	6	35	3	15	14	830
GN 31-100-M20-150-C3-*	100	M 20	150	20	6	35	3	15	17	830
GN 31-100-M20-150-C4-*	100	M 20	150	20	6	35	3	15	14	830
GN 31-100-M20-200-B1-*	100	M 20	200	20	6	35	3	15	17	840
GN 31-100-M20-200-B2-*	100	M 20	200	20	6	35	3	15	14	800
GN 31-100-M20-200-B3-*	100	M 20	200	20	6	35	3	15	17	840
GN 31-100-M20-200-B4-*	100	M 20	200	20	6	35	3	15	14	840
GN 31-100-M20-200-C3-*	100	M 20	200	20	6	35	3	15	17	840
GN 31-100-M20-200-C4-*	100	M 20	200	20	6	35	3	15	14	840
GN 31-100-M24-100-B1-*	100	M 24	100	20	6	38	3	19	17	860
GN 31-100-M24-100-B2-*	100	M 24	100	20	6	38	3	19	14	850
GN 31-100-M24-100-B3-*	100	M 24	100	20	6	38	3	19	17	860
GN 31-100-M24-100-B4-*	100	M 24	100	20	6	38	3	19	14	860
GN 31-100-M24-100-C3-*	100	M 24	100	20	6	38	3	19	17	860
GN 31-100-M24-100-C4-*	100	M 24	100	20	6	38	3	19	14	860
GN 31-100-M24-125-B1-*	100	M 24	125	20	6	38	3	19	17	936
GN 31-100-M24-125-B2-*	100	M 24	125	20	6	38	3	19	14	848
GN 31-100-M24-125-B3-*	100	M 24	125	20	6	38	3	19	17	936
GN 31-100-M24-125-B4-*	100	M 24	125	20	6	38	3	19	14	936
GN 31-100-M24-125-C3-*	100	M 24	125	20	6	38	3	19	17	936
GN 31-100-M24-125-C4-*	100	M 24	125	20	6	38	3	19	14	936
GN 31-100-M24-150-B1-*	100	M 24	150	20	6	38	3	19	17	950
GN 31-100-M24-150-B2-*	100	M 24	150	20	6	38	3	19	14	940
GN 31-100-M24-150-B3-*	100	M 24	150	20	6	38	3	19	17	950
GN 31-100-M24-150-B4-*	100	M 24	150	20	6	38	3	19	14	950
GN 31-100-M24-150-C3-*	100	M 24	150	20	6	38	3	19	17	950
GN 31-100-M24-150-C4-*	100	M 24	150	20	6	38	3	19	14	950
GN 31-100-M24-200-B1-*	100	M 24	200	20	6	38	3	19	17	990
GN 31-100-M24-200-B2-*	100	M 24	200	20	6	38	3	19	14	980
GN 31-100-M24-200-B3-*	100	M 24	200	20	6	38	3	19	17	990
GN 31-100-M24-200-B4-*	100	M 24	200	20	6	38	3	19	14	990
GN 31-100-M24-200-C3-*	100	M 24	200	20	6	38	3	19	17	990
GN 31-100-M24-200-C4-*	100	M 24	200	20	6	38	3	19	14	990
GN 31-120-M20-100-B1-*	120	M 20	100	22	6	39	4	15	25	1000
GN 31-120-M20-100-B2-*	120	M 20	100	22	6	39	4	15	22	990
GN 31-120-M20-125-B1-*	120	M 20	125	22	6	39	4	15	25	1000
GN 31-120-M20-125-B2-*	120	M 20	125	22	6	39	4	15	22	1000
GN 31-120-M20-150-B1-*	120	M 20	150	22	6	39	4	15	25	1000
GN 31-120-M20-150-B2-*	120	M 20	150	22	6	39	4	15	22	1000
GN 31-120-M20-200-B1-*	120	M 20	200	22	6	39	4	15	25	1080
GN 31-120-M20-200-B2-*	120	M 20	200	22	6	39	4	15	22	1060
GN 31-120-M24-100-B1-*	120	M 24	100	22	6	42	4	19	25	1080
GN 31-120-M24-100-B2-*	120	M 24	100	22	6	42	4	19	22	1080
GN 31-120-M24-125-B1-*	120	M 24	125	22	6	42	4	19	25	1090
GN 31-120-M24-125-B2-*	120	M 24	125	22	6	42	4	19	22	1070
GN 31-120-M24-150-B1-*	120	M 24	150	22	6	42	4	19	25	1090
GN 31-120-M24-150-B2-*	120	M 24	150	22	6	42	4	19	22	1090
GN 31-120-M24-200-B1-*	120	M 24	200	22	6	42	4	19	25	1280
GN 31-120-M24-200-B2-*	120	M 24	200	22	6	42	4	19	22	1144
GN 31-120-M30-100-B1-*	120	M 30	100	22	6	46	4	24	25	1280
GN 31-120-M30-100-B2-*	120	M 30	100	22	6	46	4	24	22	1280
GN 31-120-M30-125-B1-*	120	M 30	125	22	6	46	4	24	25	1329
GN 31-120-M30-125-B2-*	120	M 30	125	22	6	46	4	24	22	1200
GN 31-120-M30-150-B1-*	120	M 30	150	22	6	46	4	24	25	1329
GN 31-120-M30-150-B2-*	120	M 30	150	22	6	46	4	24	22	1329
GN 31-120-M30-200-B1-*	120	M 30	200	22	6	46	4	24	25	1329
GN 31-120-M30-200-B2-*	120	M 30	200	22	6	46	4	24	22	1329



Levelling elements 11





\* Complete with version of the Levelling feet (Hexagon socket at the top / Wrench at the bottom)

U without nut  
UK with nut

**GN 31-U/UK** **STAINLESS STEEL**

Description	d1	d2	l1	h1	h2	h4	+0.4/0	A/FA/F	Static load in kN	⚖
GN 31-50-M16-75-B1-*	50	M 16	75	14.5	3.5	29	3	12 8	28	191
GN 31-50-M16-75-B2-*	50	M 16	75	14.5	3.5	29	3	12 8	28	180
GN 31-50-M16-100-B1-*	50	M 16	100	14.5	3.5	29	3	12 8	28	220
GN 31-50-M16-100-B2-*	50	M 16	100	14.5	3.5	29	3	12 8	28	200
GN 31-50-M16-125-B1-*	50	M 16	125	14.5	3.5	29	3	12 8	28	260
GN 31-50-M16-125-B2-*	50	M 16	125	14.5	3.5	29	3	12 8	28	240
GN 31-50-M16-150-B1-*	50	M 16	150	14.5	3.5	29	3	12 8	28	289
GN 31-50-M16-150-B2-*	50	M 16	150	14.5	3.5	29	3	12 8	28	280
GN 31-50-M16-200-B1-*	50	M 16	200	14.5	3.5	29	3	12 8	28	295
GN 31-50-M16-200-B2-*	50	M 16	200	14.5	3.5	29	3	12 8	28	290
GN 31-60-M16-75-B1-*	60	M 16	75	16	4	30	3	12 8	28	280
GN 31-60-M16-75-B2-*	60	M 16	75	16	4	30	3	12 8	25	230
GN 31-60-M16-75-B3-*	60	M 16	75	16	4	30	3	12 8	28	280
GN 31-60-M16-75-B4-*	60	M 16	75	16	4	30	3	12 8	25	280
GN 31-60-M16-75-C3-*	60	M 16	75	16	4	30	3	12 8	28	280
GN 31-60-M16-75-C4-*	60	M 16	75	16	4	30	3	12 8	25	280
GN 31-60-M16-100-B1-*	60	M 16	100	16	4	30	3	12 8	28	290
GN 31-60-M16-100-B2-*	60	M 16	100	16	4	30	3	12 8	25	260
GN 31-60-M16-100-B3-*	60	M 16	100	16	4	30	3	12 8	28	290
GN 31-60-M16-100-B4-*	60	M 16	100	16	4	30	3	12 8	25	290
GN 31-60-M16-100-C3-*	60	M 16	100	16	4	30	3	12 8	28	290
GN 31-60-M16-100-C4-*	60	M 16	100	16	4	30	3	12 8	25	290
GN 31-60-M16-150-B1-*	60	M 16	150	16	4	30	3	12 8	28	310
GN 31-60-M16-150-B2-*	60	M 16	150	16	4	30	3	12 8	25	300
GN 31-60-M16-150-B3-*	60	M 16	150	16	4	30	3	12 8	28	310
GN 31-60-M16-150-B4-*	60	M 16	150	16	4	30	3	12 8	25	310
GN 31-60-M16-150-C3-*	60	M 16	150	16	4	30	3	12 8	28	310
GN 31-60-M16-150-C4-*	60	M 16	150	16	4	30	3	12 8	25	310
GN 31-60-M16-200-B1-*	60	M 16	200	16	4	30	3	12 8	28	360
GN 31-60-M16-200-B2-*	60	M 16	200	16	4	30	3	12 8	25	350
GN 31-60-M16-200-B3-*	60	M 16	200	16	4	30	3	12 8	28	360
GN 31-60-M16-200-B4-*	60	M 16	200	16	4	30	3	12 8	25	360
GN 31-60-M16-200-C3-*	60	M 16	200	16	4	30	3	12 8	28	360

**GN 31-U/UK** **STAINLESS STEEL**

Description	d1	d2	l1	h1	h2	h4	+0.4/0	A/FA/F	Static load in kN	⚖
GN 31-60-M16-200-C4-*	60	M 16	200	16	4	30	3	12 8	25	360
GN 31-80-M16-75-B1-*	80	M 16	75	18	5	32	3	12 8	19	390
GN 31-80-M16-75-B2-*	80	M 16	75	18	5	32	3	12 8	15	360
GN 31-80-M16-75-B3-*	80	M 16	75	18	5	32	3	12 8	19	390
GN 31-80-M16-75-B4-*	80	M 16	75	18	5	32	3	12 8	15	390
GN 31-80-M16-75-C3-*	80	M 16	75	18	5	32	3	12 8	19	390
GN 31-80-M16-75-C4-*	80	M 16	75	18	5	32	3	12 8	15	390
GN 31-80-M16-100-B1-*	80	M 16	100	18	5	32	3	12 8	19	410
GN 31-80-M16-100-B2-*	80	M 16	100	18	5	32	3	12 8	15	400
GN 31-80-M16-100-B3-*	80	M 16	100	18	5	32	3	12 8	19	410
GN 31-80-M16-100-B4-*	80	M 16	100	18	5	32	3	12 8	15	410
GN 31-80-M16-100-C3-*	80	M 16	100	18	5	32	3	12 8	19	410
GN 31-80-M16-100-C4-*	80	M 16	100	18	5	32	3	12 8	15	410
GN 31-80-M16-125-B1-*	80	M 16	125	18	5	32	3	12 8	19	419
GN 31-80-M16-125-B2-*	80	M 16	125	18	5	32	3	12 8	15	350
GN 31-80-M16-125-B3-*	80	M 16	125	18	5	32	3	12 8	19	419
GN 31-80-M16-125-B4-*	80	M 16	125	18	5	32	3	12 8	15	419
GN 31-80-M16-125-C3-*	80	M 16	125	18	5	32	3	12 8	19	419
GN 31-80-M16-125-C4-*	80	M 16	125	18	5	32	3	12 8	15	419
GN 31-80-M16-150-B1-*	80	M 16	150	18	5	32	3	12 8	19	455
GN 31-80-M16-150-B2-*	80	M 16	150	18	5	32	3	12 8	15	450
GN 31-80-M16-150-B3-*	80	M 16	150	18	5	32	3	12 8	19	455
GN 31-80-M16-150-B4-*	80	M 16	150	18	5	32	3	12 8	15	455
GN 31-80-M16-150-C3-*	80	M 16	150	18	5	32	3	12 8	19	455
GN 31-80-M16-150-C4-*	80	M 16	150	18	5	32	3	12 8	15	455
GN 31-80-M16-200-B1-*	80	M 16	200	18	5	32	3	12 8	19	515
GN 31-80-M16-200-B2-*	80	M 16	200	18	5	32	3	12 8	15	480
GN 31-80-M16-200-B3-*	80	M 16	200	18	5	32	3	12 8	19	515
GN 31-80-M16-200-B4-*	80	M 16	200	18	5	32	3	12 8	15	515
GN 31-80-M16-200-C3-*	80	M 16	200	18	5	32	3	12 8	19	515
GN 31-80-M16-200-C4-*	80	M 16	200	18	5	32	3	12 8	15	515
GN 31-80-M20-75-B1-*	80	M 20	75	18	5	33	3	15 10	19	400
GN 31-80-M20-75-B2-*	80	M 20	75	18	5	33	3	15 10	15	390
GN 31-80-M20-75-B3-*	80	M 20	75	18	5	33	3	15 10	19	400
GN 31-80-M20-75-B4-*	80	M 20	75	18	5	33	3	15 10	15	400
GN 31-80-M20-75-C3-*	80	M 20	75	18	5	33	3	15 10	19	400
GN 31-80-M20-75-C4-*	80	M 20	75	18	5	33	3	15 10	15	400
GN 31-80-M20-100-B1-*	80	M 20	100	18	5	33	3	15 10	19	460
GN 31-80-M20-100-B2-*	80	M 20	100	18	5	33	3	15 10	15	450
GN 31-80-M20-100-B3-*	80	M 20	100	18	5	33	3	15 10	19	460
GN 31-80-M20-100-B4-*	80	M 20	100	18	5	33	3	15 10	15	460
GN 31-80-M20-100-C3-*	80	M 20	100	18	5	33	3	15 10	19	460
GN 31-80-M20-100-C4-*	80	M 20	100	18	5	33	3	15 10	15	460
GN 31-80-M20-125-B1-*	80	M 20	125	18	5	33	3	15 10	19	520
GN 31-80-M20-125-B2-*	80	M 20	125	18	5	33	3	15 10	15	500
GN 31-80-M20-125-B3-*	80	M 20	125	18	5	33	3	15 10	19	520
GN 31-80-M20-125-B4-*	80	M 20	125	18	5	33	3	15 10	15	520
GN 31-80-M20-125-C3-*	80	M 20	125	18	5	33	3	15 10	19	520
GN 31-80-M20-125-C4-*	80	M 20	125	18	5	33	3	15 10	15	520
GN 31-80-M20-150-B1-*	80	M 20	150	18	5	33	3	15 10	19	494
GN 31-80-M20-150-B2-*	80	M 20	150	18	5	33	3	15 10	15	480
GN 31-80-M20-150-B3-*	80	M 20	150	18	5	33	3	15 10	19	494
GN 31-80-M20-150-B4-*	80	M 20	150	18	5	33	3	15 10	15	494
GN 31-80-M20-150-C3-*	80	M 20	150	18	5	33	3	15 10	19	494
GN 31-80-M20-150-C4-*	80	M 20	150	18	5	33	3	15 10	15	494
GN 31-80-M20-200-B1-*	80	M 20	200	18	5	33	3	15 10	19	660
GN 31-80-M20-200-B2-*	80	M 20	200	18	5	33	3	15 10	15	650
GN 31-80-M20-200-B3-*	80	M 20	200	18	5	33	3	15 10	19	660
GN 31-80-M20-200-B4-*	80	M 20	200	18	5	33	3	15 10	15	660
GN 31-80-M20-200-C3-*	80	M 20	200	18	5	33	3	15 10	19	660
GN 31-80-M20-200-C4-*	80	M 20	200	18	5	33	3	15 10	15	660
GN 31-80-M24-100-B1-*	80	M 24	100	18	5	36	3	19 12	19	630
GN 31-80-M24-100-B2-*	80	M 24	100	18	5	36	3	19 12	15	670
GN 31-80-M24-100-B3-*	80	M 24	100	18	5	36	3	19 12	19	630
GN 31-80-M24-100-B4-*	80	M 24	100	18	5	36	3	19 12	15	630
GN 31-80-M24-100-C3-*	80	M 24	100	18	5	36	3	19 12	19	630
GN 31-80-M24-100-C4-*	80	M 24	100	18	5	36	3	19 12	15	630
GN 31-80-M24-125-B1-*	80	M 24	125	18	5	36	3	19 12	19	640
GN 31-80-M24-125-B2-*	80	M 24	125	18	5	36	3	19 12	15	630
GN 31-80-M24-125-B3-*	80	M 24	125	18	5	36	3	19 12	19	640

Weight Version U



Levelling elements 11

\* Complete with version of the Levelling feet (Hexagon socket at the top / Wrench at the bottom)

U without nut UK with nut

GN 31-U/UK STAINLESS STEEL

Table with columns: Description, d1, d2, l1, h1, h2, h4 +0.4/0, s, A/FA/F2, 3, Static load in kN, and a scale icon. Lists various model numbers like GN 31-80-M24-125-B4-\*

GN 31-U/UK STAINLESS STEEL

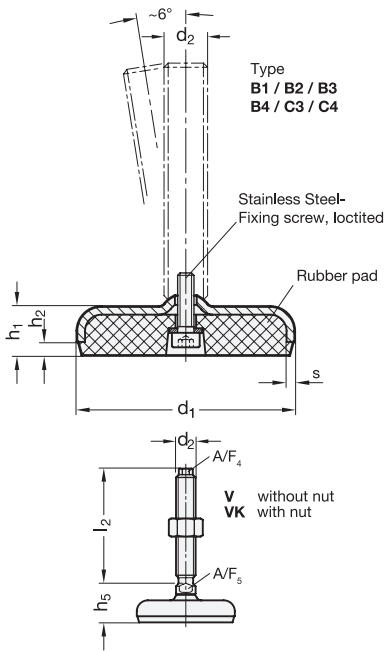
Table with columns: Description, d1, d2, l1, h1, h2, h4 +0.4/0, s, A/FA/F2, 3, Static load in kN, and a scale icon. Lists various model numbers like GN 31-100-M20-150-C4-\*



Levelling elements 11

Weight Version U





\* Complete with version of Levelling feet (External hexagon socket on the top/Wrench flat at the bottom)

V without nut  
VK with nut

**GN 31-V/VK** **STAINLESS STEEL**

Description	d1	d2	l2	h1	h2	h5 +4.0/0	s	A/FA/F 4 5	Static load in kN
GN 31-60-M16-75-B1-*	60	M 16	75	16	4	27	3	10 12 27	200
GN 31-60-M16-75-B2-*	60	M 16	75	16	4	27	3	10 12 27	156
GN 31-60-M16-75-B3-*	60	M 16	75	16	4	27	3	10 12 27	200
GN 31-60-M16-75-B4-*	60	M 16	75	16	4	27	3	10 12 27	200
GN 31-60-M16-75-C3-*	60	M 16	75	16	4	27	3	10 12 27	200
GN 31-60-M16-75-C4-*	60	M 16	75	16	4	27	3	10 12 27	200
GN 31-60-M16-100-B1-*	60	M 16	100	16	4	27	3	10 12 27	260
GN 31-60-M16-100-B2-*	60	M 16	100	16	4	27	3	10 12 27	260
GN 31-60-M16-100-B3-*	60	M 16	100	16	4	27	3	10 12 27	250
GN 31-60-M16-100-B4-*	60	M 16	100	16	4	27	3	10 12 27	260
GN 31-60-M16-100-C3-*	60	M 16	100	16	4	27	3	10 12 27	260
GN 31-60-M16-100-C4-*	60	M 16	100	16	4	27	3	10 12 27	260
GN 31-60-M16-125-B1-*	60	M 16	125	16	4	27	3	10 12 27	300
GN 31-60-M16-125-B2-*	60	M 16	125	16	4	27	3	10 12 27	290
GN 31-60-M16-125-B3-*	60	M 16	125	16	4	27	3	10 12 27	300
GN 31-60-M16-125-B4-*	60	M 16	125	16	4	27	3	10 12 27	300
GN 31-60-M16-125-C3-*	60	M 16	125	16	4	27	3	10 12 27	300
GN 31-60-M16-125-C4-*	60	M 16	125	16	4	27	3	10 12 27	300
GN 31-60-M16-150-B1-*	60	M 16	150	16	4	27	3	10 12 27	320
GN 31-60-M16-150-B2-*	60	M 16	150	16	4	27	3	10 12 27	310
GN 31-60-M16-150-B3-*	60	M 16	150	16	4	27	3	10 12 27	320
GN 31-60-M16-150-B4-*	60	M 16	150	16	4	27	3	10 12 27	320
GN 31-60-M16-150-C3-*	60	M 16	150	16	4	27	3	10 12 27	320
GN 31-60-M16-150-C4-*	60	M 16	150	16	4	27	3	10 12 27	320
GN 31-80-M16-75-B1-*	80	M 16	75	18	5	29	3	10 12 24	335
GN 31-80-M16-75-B2-*	80	M 16	75	18	5	29	3	10 12 24	330
GN 31-80-M16-75-B3-*	80	M 16	75	18	5	29	3	10 12 24	335
GN 31-80-M16-75-B4-*	80	M 16	75	18	5	29	3	10 12 24	335
GN 31-80-M16-75-C3-*	80	M 16	75	18	5	29	3	10 12 24	335
GN 31-80-M16-75-C4-*	80	M 16	75	18	5	29	3	10 12 24	335
GN 31-80-M16-100-B1-*	80	M 16	100	18	5	29	3	10 12 24	350
GN 31-80-M16-100-B2-*	80	M 16	100	18	5	29	3	10 12 24	350
GN 31-80-M16-100-B3-*	80	M 16	100	18	5	29	3	10 12 24	392
GN 31-80-M16-100-B4-*	80	M 16	100	18	5	29	3	10 12 24	392
GN 31-80-M16-100-C3-*	80	M 16	100	18	5	29	3	10 12 24	392
GN 31-80-M16-100-C4-*	80	M 16	100	18	5	29	3	10 12 24	392
GN 31-80-M16-125-B1-*	80	M 16	125	18	5	29	3	10 12 24	424
GN 31-80-M16-125-B2-*	80	M 16	125	18	5	29	3	10 12 24	382

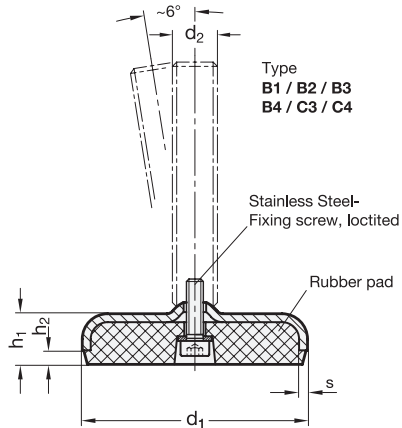
**GN 31-V/VK** **STAINLESS STEEL**

Description	d1	d2	l2	h1	h2	h5 +4.0/0	s	A/FA/F 4 5	Static load in kN
GN 31-80-M16-125-B3-*	80	M 16	125	18	5	29	3	10 12 24	424
GN 31-80-M16-125-B4-*	80	M 16	125	18	5	29	3	10 12 24	424
GN 31-80-M16-125-C3-*	80	M 16	125	18	5	29	3	10 12 24	424
GN 31-80-M16-125-C4-*	80	M 16	125	18	5	29	3	10 12 24	424
GN 31-80-M16-150-B1-*	80	M 16	150	18	5	29	3	10 12 24	457
GN 31-80-M16-150-B2-*	80	M 16	150	18	5	29	3	10 12 24	440
GN 31-80-M16-150-B3-*	80	M 16	150	18	5	29	3	10 12 24	457
GN 31-80-M16-150-B4-*	80	M 16	150	18	5	29	3	10 12 24	457
GN 31-80-M16-150-C3-*	80	M 16	150	18	5	29	3	10 12 24	457
GN 31-80-M16-150-C4-*	80	M 16	150	18	5	29	3	10 12 24	457
GN 31-80-M20-100-B1-*	80	M 20	100	18	5	30	3	13 16 24	567
GN 31-80-M20-100-B2-*	80	M 20	100	18	5	30	3	13 16 24	525
GN 31-80-M20-100-B3-*	80	M 20	100	18	5	30	3	13 16 24	567
GN 31-80-M20-100-B4-*	80	M 20	100	18	5	30	3	13 16 24	567
GN 31-80-M20-100-C3-*	80	M 20	100	18	5	30	3	13 16 24	567
GN 31-80-M20-100-C4-*	80	M 20	100	18	5	30	3	13 16 24	567
GN 31-80-M20-125-B1-*	80	M 20	125	18	5	30	3	13 16 24	618
GN 31-80-M20-125-B2-*	80	M 20	125	18	5	30	3	13 16 24	576
GN 31-80-M20-125-B3-*	80	M 20	125	18	5	30	3	13 16 24	618
GN 31-80-M20-125-B4-*	80	M 20	125	18	5	30	3	13 16 24	618
GN 31-80-M20-125-C3-*	80	M 20	125	18	5	30	3	13 16 24	618
GN 31-80-M20-125-C4-*	80	M 20	125	18	5	30	3	13 16 24	618
GN 31-80-M20-150-B1-*	80	M 20	150	18	5	30	3	13 16 24	670
GN 31-80-M20-150-B2-*	80	M 20	150	18	5	30	3	13 16 24	628
GN 31-80-M20-150-B3-*	80	M 20	150	18	5	30	3	13 16 24	670
GN 31-80-M20-150-B4-*	80	M 20	150	18	5	30	3	13 16 24	670
GN 31-80-M20-150-C3-*	80	M 20	150	18	5	30	3	13 16 24	670
GN 31-80-M20-150-C4-*	80	M 20	150	18	5	30	3	13 16 24	670
GN 31-80-M20-200-B1-*	80	M 20	200	18	5	30	3	13 16 24	775
GN 31-80-M20-200-B2-*	80	M 20	200	18	5	30	3	13 16 24	733
GN 31-80-M20-200-B3-*	80	M 20	200	18	5	30	3	13 16 24	775
GN 31-80-M20-200-B4-*	80	M 20	200	18	5	30	3	13 16 24	775
GN 31-80-M20-200-C3-*	80	M 20	200	18	5	30	3	13 16 24	775
GN 31-80-M20-200-C4-*	80	M 20	200	18	5	30	3	13 16 24	775
GN 31-80-M24-100-B1-*	80	M 24	100	18	5	33	3	17 20 24	607
GN 31-80-M24-100-B2-*	80	M 24	100	18	5	33	3	17 20 24	563
GN 31-80-M24-100-B3-*	80	M 24	100	18	5	33	3	17 20 24	607
GN 31-80-M24-100-B4-*	80	M 24	100	18	5	33	3	17 20 24	607
GN 31-80-M24-100-C3-*	80	M 24	100	18	5	33	3	17 20 24	607
GN 31-80-M24-100-C4-*	80	M 24	100	18	5	33	3	17 20 24	607
GN 31-80-M24-150-B1-*	80	M 24	150	18	5	33	3	17 20 24	700
GN 31-80-M24-150-B2-*	80	M 24	150	18	5	33	3	17 20 24	690
GN 31-80-M24-150-B3-*	80	M 24	150	18	5	33	3	17 20 24	700
GN 31-80-M24-150-B4-*	80	M 24	150	18	5	33	3	17 20 24	700
GN 31-80-M24-150-C3-*	80	M 24	150	18	5	33	3	17 20 24	700
GN 31-80-M24-150-C4-*	80	M 24	150	18	5	33	3	17 20 24	700
GN 31-80-M24-200-B1-*	80	M 24	200	18	5	33	3	17 20 24	850
GN 31-80-M24-200-B2-*	80	M 24	200	18	5	33	3	17 20 24	840
GN 31-80-M24-200-B3-*	80	M 24	200	18	5	33	3	17 20 24	850
GN 31-80-M24-200-B4-*	80	M 24	200	18	5	33	3	17 20 24	850
GN 31-80-M24-200-C3-*	80	M 24	200	18	5	33	3	17 20 24	850
GN 31-80-M24-200-C4-*	80	M 24	200	18	5	33	3	17 20 24	850
GN 31-100-M16-75-B1-*	100	M 16	75	20	6	31	3	10 12 21	480
GN 31-100-M16-75-B2-*	100	M 16	75	20	6	31	3	10 12 21	460
GN 31-100-M16-75-B3-*	100	M 16	75	20	6	31	3	10 12 21	480
GN 31-100-M16-75-B4-*	100	M 16	75	20	6	31	3	10 12 21	480
GN 31-100-M16-75-C3-*	100	M 16	75	20	6	31	3	10 12 21	480
GN 31-100-M16-75-C4-*	100	M 16	75	20	6	31	3	10 12 21	480
GN 31-100-M16-100-B1-*	100	M 16	100	20	6	31	3	10 12 21	505
GN 31-100-M16-100-B2-*	100	M 16	100	20	6	31	3	10 12 21	490
GN 31-100-M16-100-B3-*	100	M 16	100	20	6	31	3	10 12 21	505
GN 31-100-M16-100-B4-*	100	M 16	100	20	6	31	3	10 12 21	505
GN 31-100-M16-100-C3-*	100	M 16	100	20	6	31	3	10 12 21	505
GN 31-100-M16-100-C4-*	100	M 16	100	20	6	31	3	10 12 21	505
GN 31-100-M16-125-B1-*	100	M 16	125	20	6	31	3	10 12 21	530
GN 31-100-M16-125-B2-*	100	M 16	125	20	6	31	3	10 12 21	510
GN 31-100-M16-125-B3-*	100	M 16	125	20	6	31	3	10 12 21	530
GN 31-100-M16-125-B4-*	100	M 16	125	20	6	31	3	10 12 21	530

Weight Version V



Levelling elements 11



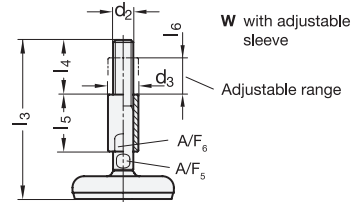
\* Complete with version of Levelling feet (External hexagon socket on the top/Wrench flat at the bottom)  
 V without nut VK with nut

**GN 31-V/VK**

**STAINLESS STEEL**

Description	d1	d2	l2	h1	h2	h5 +4.0/0	s	A/FA/F		Static load in kN	⚖️
								4	5		
GN 31-100-M16-125-C3.*	100	M 16	125	20	6	31	3	10	12	21	530
GN 31-100-M16-125-C4.*	100	M 16	125	20	6	31	3	10	12	21	530
GN 31-100-M16-150-B1.*	100	M 16	150	20	6	31	3	10	12	21	570
GN 31-100-M16-150-B2.*	100	M 16	150	20	6	31	3	10	12	21	555
GN 31-100-M16-150-B3.*	100	M 16	150	20	6	31	3	10	12	21	570
GN 31-100-M16-150-B4.*	100	M 16	150	20	6	31	3	10	12	21	570
GN 31-100-M16-150-C3.*	100	M 16	150	20	6	31	3	10	12	21	570
GN 31-100-M16-150-C4.*	100	M 16	150	20	6	31	3	10	12	21	570
GN 31-100-M20-100-B1.*	100	M 20	100	20	6	32	3	13	16	21	580
GN 31-100-M20-100-B2.*	100	M 20	100	20	6	32	3	13	16	21	575
GN 31-100-M20-100-B3.*	100	M 20	100	20	6	32	3	13	16	21	580
GN 31-100-M20-100-B4.*	100	M 20	100	20	6	32	3	13	16	21	580
GN 31-100-M20-100-C3.*	100	M 20	100	20	6	32	3	13	16	21	580
GN 31-100-M20-100-C4.*	100	M 20	100	20	6	32	3	13	16	21	580
GN 31-100-M20-125-B1.*	100	M 20	125	20	6	32	3	13	16	21	620
GN 31-100-M20-125-B2.*	100	M 20	125	20	6	32	3	13	16	21	600
GN 31-100-M20-125-B3.*	100	M 20	125	20	6	32	3	13	16	21	620
GN 31-100-M20-125-B4.*	100	M 20	125	20	6	32	3	13	16	21	620
GN 31-100-M20-125-C3.*	100	M 20	125	20	6	32	3	13	16	21	620
GN 31-100-M20-125-C4.*	100	M 20	125	20	6	32	3	13	16	21	620
GN 31-100-M20-150-B1.*	100	M 20	150	20	6	32	3	13	16	21	660
GN 31-100-M20-150-B2.*	100	M 20	150	20	6	32	3	13	16	21	650
GN 31-100-M20-150-B3.*	100	M 20	150	20	6	32	3	13	16	21	660
GN 31-100-M20-150-B4.*	100	M 20	150	20	6	32	3	13	16	21	660
GN 31-100-M20-150-C3.*	100	M 20	150	20	6	32	3	13	16	21	660
GN 31-100-M20-150-C4.*	100	M 20	150	20	6	32	3	13	16	21	660
GN 31-100-M20-200-B1.*	100	M 20	200	20	6	32	3	13	16	21	810
GN 31-100-M20-200-B2.*	100	M 20	200	20	6	32	3	13	16	21	804
GN 31-100-M20-200-B3.*	100	M 20	200	20	6	32	3	13	16	21	810
GN 31-100-M20-200-B4.*	100	M 20	200	20	6	32	3	13	16	21	810
GN 31-100-M20-200-C3.*	100	M 20	200	20	6	32	3	13	16	21	810
GN 31-100-M20-200-C4.*	100	M 20	200	20	6	32	3	13	16	21	810
GN 31-100-M24-100-B1.*	100	M 24	100	20	6	35	3	17	20	21	842
GN 31-100-M24-100-B2.*	100	M 24	100	20	6	35	3	17	20	21	754
GN 31-100-M24-100-B3.*	100	M 24	100	20	6	35	3	17	20	21	842
GN 31-100-M24-100-B4.*	100	M 24	100	20	6	35	3	17	20	21	842
GN 31-100-M24-100-C3.*	100	M 24	100	20	6	35	3	17	20	21	842
GN 31-100-M24-100-C4.*	100	M 24	100	20	6	35	3	17	20	21	842
GN 31-100-M24-150-B1.*	100	M 24	150	20	6	35	3	17	20	21	990
GN 31-100-M24-150-B2.*	100	M 24	150	20	6	35	3	17	20	21	902
GN 31-100-M24-150-B3.*	100	M 24	150	20	6	35	3	17	20	21	990
GN 31-100-M24-150-B4.*	100	M 24	150	20	6	35	3	17	20	21	990
GN 31-100-M24-150-C3.*	100	M 24	150	20	6	35	3	17	20	21	990
GN 31-100-M24-150-C4.*	100	M 24	150	20	6	35	3	17	20	21	990
GN 31-100-M24-200-B1.*	100	M 24	200	20	6	35	3	17	20	21	1110
GN 31-100-M24-200-B2.*	100	M 24	200	20	6	35	3	17	20	21	999
GN 31-100-M24-200-B3.*	100	M 24	200	20	6	35	3	17	20	21	1110
GN 31-100-M24-200-B4.*	100	M 24	200	20	6	35	3	17	20	21	1110
GN 31-100-M24-200-C3.*	100	M 24	200	20	6	35	3	17	20	21	1110
GN 31-100-M24-200-C4.*	100	M 24	200	20	6	35	3	17	20	21	1110

Weight Version V



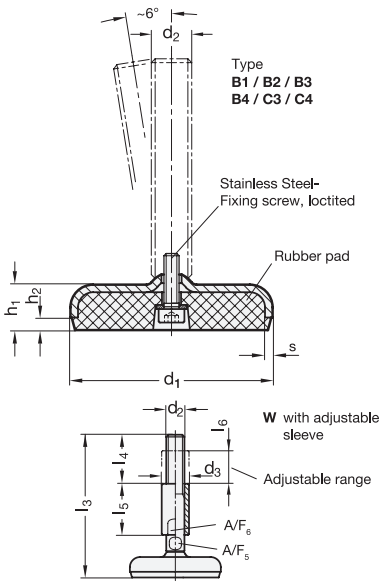
**GN 31-W**

**STAINLESS STEEL**

Description	d1	d2	l3	d3	h1	h2	l4	l5	l6	s	A/ A/		Static load in kN	⚖️
											F5	F6		
GN 31-60-M16-123-B1-W	60	M 16	123	24	16	4	45	45	29	3	12	20	27	350
GN 31-60-M16-123-B2-W	60	M 16	123	24	16	4	45	45	29	3	12	20	27	330
GN 31-60-M16-123-B3-W	60	M 16	123	24	16	4	45	45	29	3	12	20	27	350
GN 31-60-M16-123-B4-W	60	M 16	123	24	16	4	45	45	29	3	12	20	27	350
GN 31-60-M16-123-C3-W	60	M 16	123	24	16	4	45	45	29	3	12	20	27	350
GN 31-60-M16-123-C4-W	60	M 16	123	24	16	4	45	45	29	3	12	20	27	350
GN 31-60-M16-148-B1-W	60	M 16	148	24	16	4	45	45	29	3	12	20	27	388
GN 31-60-M16-148-B2-W	60	M 16	148	24	16	4	45	45	29	3	12	20	27	350
GN 31-60-M16-148-B3-W	60	M 16	148	24	16	4	45	45	29	3	12	20	27	388
GN 31-60-M16-148-B4-W	60	M 16	148	24	16	4	45	45	29	3	12	20	27	388
GN 31-60-M16-148-C3-W	60	M 16	148	24	16	4	45	45	29	3	12	20	27	388
GN 31-60-M16-148-C4-W	60	M 16	148	24	16	4	45	45	29	3	12	20	27	388
GN 31-60-M16-173-B1-W	60	M 16	173	24	16	4	45	45	29	3	12	20	27	400
GN 31-60-M16-173-B2-W	60	M 16	173	24	16	4	45	45	29	3	12	20	27	369
GN 31-60-M16-173-B3-W	60	M 16	173	24	16	4	45	45	29	3	12	20	27	400
GN 31-60-M16-173-B4-W	60	M 16	173	24	16	4	45	45	29	3	12	20	27	400
GN 31-60-M16-173-C3-W	60	M 16	173	24	16	4	45	45	29	3	12	20	27	400
GN 31-60-M16-173-C4-W	60	M 16	173	24	16	4	45	45	29	3	12	20	27	400
GN 31-60-M16-198-B1-W	60	M 16	198	24	16	4	45	45	29	3	12	20	27	469
GN 31-60-M16-198-B2-W	60	M 16	198	24	16	4	45	45	29	3	12	20	27	450
GN 31-60-M16-198-B3-W	60	M 16	198	24	16	4	45	45	29	3	12	20	27	469
GN 31-60-M16-198-B4-W	60	M 16	198	24	16	4	45	45	29	3	12	20	27	469
GN 31-60-M16-198-C3-W	60	M 16	198	24	16	4	45	45	29	3	12	20	27	469
GN 31-60-M16-198-C4-W	60	M 16	198	24	16	4	45	45	29	3	12	20	27	469
GN 31-80-M16-125-B1-W	80	M 16	125	24	18	5	45	45	29	3	12	20	24	485
GN 31-80-M16-125-B2-W	80	M 16	125	24	18	5	45	45	29	3	12	20	24	443
GN 31-80-M16-125-B3-W	80	M 16	125	24	18	5	45	45	29	3	12	20	24	485
GN 31-80-M16-125-B4-W	80	M 16	125	24	18	5	45	45	29	3	12	20	24	485
GN 31-80-M16-150-B1-W	80	M 16	150	24	18	5	45	45	29	3	12	20	24	494
GN 31-80-M16-150-B2-W	80	M 16	150	24	18	5	45	45	29	3	12	20	24	480
GN 31-80-M16-150-B3-W	80	M 16	150	24	18	5	45	45	29	3	12	20	24	494
GN 31-80-M16-150-B4-W	80	M 16	150	24	18	5	45	45	29	3	12	20	24	494
GN 31-80-M16-150-C3-W	80	M 16	150	24	18	5	45	45	29	3	12	20	24	494
GN 31-80-M16-150-C4-W	80	M 16	150	24	18	5	45	45	29	3	12	20	24	494
GN 31-80-M16-175-B1-W	80	M 16	175	24	18	5	45	45	29	3	12	20	24	540
GN 31-80-M16-175-B2-W	80	M 16	175	24	18	5	45	45	29	3	12	20	24	521
GN 31-80-M16-175-B3-W	80	M 16	175	24	18	5	45	45	29	3	12	20	24	540
GN 31-80-M16-175-B4-W	80	M 16	175	24	18	5	45	45	29	3	12	20	24	540



11 Levelling elements

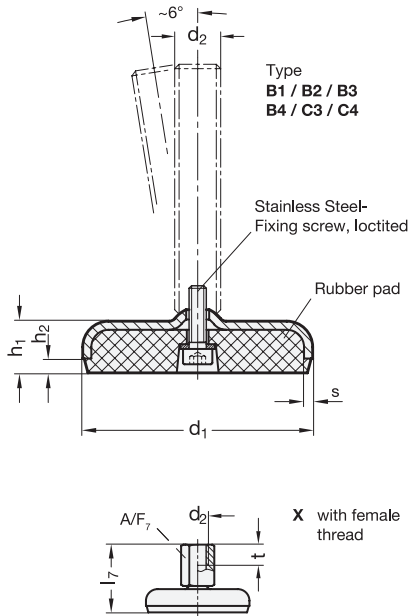


## GN 31-W STAINLESS STEEL

Description	d1	d2	l3	d3	h1	h2	l4	l5	l6	l8	A / A/F5	A / F6	Static load in kN
GN 31-80-M16-175-B3-W	80	M 16	175	24	18	5	45	45	29	3	12	20	540
GN 31-80-M16-175-B4-W	80	M 16	175	24	18	5	45	45	29	3	12	20	540
GN 31-80-M16-175-C3-W	80	M 16	175	24	18	5	45	45	29	3	12	20	540
GN 31-80-M16-175-C4-W	80	M 16	175	24	18	5	45	45	29	3	12	20	540
GN 31-80-M16-200-B1-W	80	M 16	200	24	18	5	45	45	29	3	12	20	580
GN 31-80-M16-200-B2-W	80	M 16	200	24	18	5	45	45	29	3	12	20	561
GN 31-80-M16-200-B3-W	80	M 16	200	24	18	5	45	45	29	3	12	20	580
GN 31-80-M16-200-B4-W	80	M 16	200	24	18	5	45	45	29	3	12	20	580
GN 31-80-M16-200-C3-W	80	M 16	200	24	18	5	45	45	29	3	12	20	580
GN 31-80-M16-200-C4-W	80	M 16	200	24	18	5	45	45	29	3	12	20	580
GN 31-80-M20-149-B1-W	80	M 20	149	30	18	5	56	56	36	3	16	24	680
GN 31-80-M20-149-B2-W	80	M 20	149	30	18	5	56	56	36	3	16	24	655
GN 31-80-M20-149-B3-W	80	M 20	149	30	18	5	56	56	36	3	16	24	680
GN 31-80-M20-149-B4-W	80	M 20	149	30	18	5	56	56	36	3	16	24	680
GN 31-80-M20-149-C3-W	80	M 20	149	30	18	5	56	56	36	3	16	24	680
GN 31-80-M20-149-C4-W	80	M 20	149	30	18	5	56	56	36	3	16	24	680
GN 31-80-M20-174-B1-W	80	M 20	174	30	18	5	56	56	36	3	16	24	740
GN 31-80-M20-174-B2-W	80	M 20	174	30	18	5	56	56	36	3	16	24	718
GN 31-80-M20-174-B3-W	80	M 20	174	30	18	5	56	56	36	3	16	24	740
GN 31-80-M20-174-B4-W	80	M 20	174	30	18	5	56	56	36	3	16	24	740
GN 31-80-M20-174-C3-W	80	M 20	174	30	18	5	56	56	36	3	16	24	740
GN 31-80-M20-174-C4-W	80	M 20	174	30	18	5	56	56	36	3	16	24	740
GN 31-80-M20-199-B1-W	80	M 20	199	30	18	5	56	56	36	3	16	24	780
GN 31-80-M20-199-B2-W	80	M 20	199	30	18	5	56	56	36	3	16	24	760
GN 31-80-M20-199-B3-W	80	M 20	199	30	18	5	56	56	36	3	16	24	780
GN 31-80-M20-199-B4-W	80	M 20	199	30	18	5	56	56	36	3	16	24	780
GN 31-80-M20-199-C3-W	80	M 20	199	30	18	5	56	56	36	3	16	24	780
GN 31-80-M20-199-C4-W	80	M 20	199	30	18	5	56	56	36	3	16	24	780
GN 31-80-M20-249-B1-W	80	M 20	249	30	18	5	56	56	36	3	16	24	940
GN 31-80-M20-249-B2-W	80	M 20	249	30	18	5	56	56	36	3	16	24	920
GN 31-80-M20-249-B3-W	80	M 20	249	30	18	5	56	56	36	3	16	24	940
GN 31-80-M20-249-B4-W	80	M 20	249	30	18	5	56	56	36	3	16	24	940
GN 31-80-M20-249-C3-W	80	M 20	249	30	18	5	56	56	36	3	16	24	940
GN 31-80-M20-249-C4-W	80	M 20	249	30	18	5	56	56	36	3	16	24	940
GN 31-80-M24-174-B1-W	80	M 24	174	35	18	5	67	67	42	3	20	30	1000
GN 31-80-M24-174-B2-W	80	M 24	174	35	18	5	67	67	42	3	20	30	992
GN 31-80-M24-174-B3-W	80	M 24	174	35	18	5	67	67	42	3	20	30	1000
GN 31-80-M24-174-B4-W	80	M 24	174	35	18	5	67	67	42	3	20	30	1000
GN 31-80-M24-174-C3-W	80	M 24	174	35	18	5	67	67	42	3	20	30	1000
GN 31-80-M24-174-C4-W	80	M 24	174	35	18	5	67	67	42	3	20	30	1000
GN 31-80-M24-224-B1-W	80	M 24	224	35	18	5	67	67	42	3	20	30	1200
GN 31-80-M24-224-B2-W	80	M 24	224	35	18	5	67	67	42	3	20	30	1170
GN 31-80-M24-224-B3-W	80	M 24	224	35	18	5	67	67	42	3	20	30	1200
GN 31-80-M24-224-B4-W	80	M 24	224	35	18	5	67	67	42	3	20	30	1200
GN 31-80-M24-224-C3-W	80	M 24	224	35	18	5	67	67	42	3	20	30	1200
GN 31-80-M24-224-C4-W	80	M 24	224	35	18	5	67	67	42	3	20	30	1200

## GN 31-W STAINLESS STEEL

Description	d1	d2	l3	d3	h1	h2	l4	l5	l6	s	A / A/F5	A / F6	Static load in kN
GN 31-80-M24-274-B1-W	80	M 24	274	35	18	5	67	67	42	3	20	30	1250
GN 31-80-M24-274-B2-W	80	M 24	274	35	18	5	67	67	42	3	20	30	1200
GN 31-80-M24-274-B3-W	80	M 24	274	35	18	5	67	67	42	3	20	30	1250
GN 31-80-M24-274-B4-W	80	M 24	274	35	18	5	67	67	42	3	20	30	1250
GN 31-80-M24-274-C3-W	80	M 24	274	35	18	5	67	67	42	3	20	30	1250
GN 31-80-M24-274-C4-W	80	M 24	274	35	18	5	67	67	42	3	20	30	1250
GN 31-100-M16-126-B1-W	100	M 16	126	24	20	6	45	45	29	3	12	20	633
GN 31-100-M16-126-B2-W	100	M 16	126	24	20	6	45	45	29	3	12	20	600
GN 31-100-M16-126-B3-W	100	M 16	126	24	20	6	45	45	29	3	12	20	633
GN 31-100-M16-126-B4-W	100	M 16	126	24	20	6	45	45	29	3	12	20	633
GN 31-100-M16-126-C3-W	100	M 16	126	24	20	6	45	45	29	3	12	20	633
GN 31-100-M16-126-C4-W	100	M 16	126	24	20	6	45	45	29	3	12	20	633
GN 31-100-M16-151-B1-W	100	M 16	151	24	20	6	45	45	29	3	12	20	725
GN 31-100-M16-151-B2-W	100	M 16	151	24	20	6	45	45	29	3	12	20	700
GN 31-100-M16-151-B3-W	100	M 16	151	24	20	6	45	45	29	3	12	20	725
GN 31-100-M16-151-B4-W	100	M 16	151	24	20	6	45	45	29	3	12	20	725
GN 31-100-M16-151-C3-W	100	M 16	151	24	20	6	45	45	29	3	12	20	725
GN 31-100-M16-151-C4-W	100	M 16	151	24	20	6	45	45	29	3	12	20	725
GN 31-100-M16-176-B1-W	100	M 16	176	24	20	6	45	45	29	3	12	20	800
GN 31-100-M16-176-B2-W	100	M 16	176	24	20	6	45	45	29	3	12	20	800
GN 31-100-M16-176-B3-W	100	M 16	176	24	20	6	45	45	29	3	12	20	800
GN 31-100-M16-176-B4-W	100	M 16	176	24	20	6	45	45	29	3	12	20	800
GN 31-100-M16-176-C3-W	100	M 16	176	24	20	6	45	45	29	3	12	20	800
GN 31-100-M16-201-B1-W	100	M 16	201	24	20	6	45	45	29	3	12	20	700
GN 31-100-M16-201-B2-W	100	M 16	201	24	20	6	45	45	29	3	12	20	701
GN 31-100-M16-201-B3-W	100	M 16	201	24	20	6	45	45	29	3	12	20	700
GN 31-100-M16-201-B4-W	100	M 16	201	24	20	6	45	45	29	3	12	20	700
GN 31-100-M16-201-C3-W	100	M 16	201	24	20	6	45	45	29	3	12	20	700
GN 31-100-M16-201-C4-W	100	M 16	201	24	20	6	45	45	29	3	12	20	700
GN 31-100-M20-151-B1-W	100	M 20	151	30	20	6	56	56	36	3	16	24	987
GN 31-100-M20-151-B2-W	100	M 20	151	30	20	6	56	56	36	3	16	24	989
GN 31-100-M20-151-B3-W	100	M 20	151	30	20	6	56	56	36	3	16	24	987
GN 31-100-M20-151-B4-W	100	M 20	151	30	20	6	56	56	36	3	16	24	987
GN 31-100-M20-151-C3-W	100	M 20	151	30	20	6	56	56	36	3	16	24	987
GN 31-100-M20-151-C4-W	100	M 20	151	30	20	6	56	56	36	3	16	24	987
GN 31-100-M20-176-B1-W	100	M 20	176	30	20	6	56	56	36	3	16	24	1050
GN 31-100-M20-176-B2-W	100	M 20	176	30	20	6	56	56	36	3	16	24	962
GN 31-100-M20-176-B3-W	100	M 20	176	30	20	6	56	56	36	3	16	24	1050
GN 31-100-M20-176-B4-W	100	M 20	176	30	20	6	56	56	36	3	16	24	1050
GN 31-100-M20-176-C3-W	100	M 20	176	30	20	6	56	56	36	3	16	24	1050
GN 31-100-M20-176-C4-W	100	M 20	176	30	20	6	56	56	36	3	16	24	1050
GN 31-100-M20-201-B1-W	100	M 20	201	30	20	6	56	56	36	3	16	24	1113
GN 31-100-M20-201-B2-W	100	M 20	201	30	20	6	56	56	36	3	16	24	1025
GN 31-100-M20-201-B3-W	100	M 20	201	30	20	6	56	56	36	3	16	24	1113
GN 31-100-M20-201-B4-W	100	M 20	201	30	20	6	56	56	36	3	16	24	1113
GN 31-100-M20-201-C3-W	100	M 20	201	30	20	6	56	56	36	3	16	24	1113
GN 31-100-M20-201-C4-W	100	M 20	201	30	20	6	56	56	36	3	16	24	1113
GN 31-100-M20-251-B1-W	100	M 20	251	30	20	6	56	56	36	3	16	24	1190
GN 31-100-M20-251-B2-W	100	M 20	251	30	20	6	56	56	36	3	16	24	1140
GN 31-100-M20-251-B3-W	100	M 20	251	30	20	6	56	56	36	3	16	24	1190
GN 31-100-M20-251-B4-W	100												



GN 31-X STAINLESS STEEL

Description	d1	d2	h1	h2	I7 +4.0/0	s	A/F7	t	Static load in kN	
GN 31-50-M8-37-B1-X	50	M 8	14.5	3.5	37	3	14	8	110	
GN 31-50-M8-37-B2-X	50	M 8	14.5	3.5	37	3	14	8	98	
GN 31-50-M10-40-B1-X	50	M 10	14.5	3.5	40	3	14	10	112	
GN 31-50-M10-40-B2-X	50	M 10	14.5	3.5	40	3	14	10	100	
GN 31-50-M12-43-B1-X	50	M 12	14.5	3.5	43	3	17	12	120	
GN 31-50-M12-43-B2-X	50	M 12	14.5	3.5	43	3	17	12	115	
GN 31-50-M16-49-B1-X	50	M 16	14.5	3.5	49	3	22	16	140	
GN 31-50-M16-49-B2-X	50	M 16	14.5	3.5	49	3	22	16	25	130
GN 31-60-M8-38-B1-X	60	M 8	16	4	38	3	14	8	150	
GN 31-60-M8-38-B2-X	60	M 8	16	4	38	3	14	8	8	140
GN 31-60-M8-38-B3-X	60	M 8	16	4	38	3	14	8	8	150
GN 31-60-M8-38-B4-X	60	M 8	16	4	38	3	14	8	8	150
GN 31-60-M8-38-C3-X	60	M 8	16	4	38	3	14	8	8	150
GN 31-60-M8-38-C4-X	60	M 8	16	4	38	3	14	8	8	150
GN 31-60-M10-41-B1-X	60	M 10	16	4	41	3	14	10	13	152
GN 31-60-M10-41-B2-X	60	M 10	16	4	41	3	14	10	13	120
GN 31-60-M10-41-B3-X	60	M 10	16	4	41	3	14	10	13	152
GN 31-60-M10-41-B4-X	60	M 10	16	4	41	3	14	10	13	152
GN 31-60-M10-41-C3-X	60	M 10	16	4	41	3	14	10	13	152
GN 31-60-M10-41-C4-X	60	M 10	16	4	41	3	14	10	13	152
GN 31-60-M12-45-B1-X	60	M 12	16	4	45	3	17	12	20	160
GN 31-60-M12-45-B2-X	60	M 12	16	4	45	3	17	12	20	148
GN 31-60-M12-45-B3-X	60	M 12	16	4	45	3	17	12	20	160
GN 31-60-M12-45-B4-X	60	M 12	16	4	45	3	17	12	20	160
GN 31-60-M12-45-C3-X	60	M 12	16	4	45	3	17	12	20	160
GN 31-60-M12-45-C4-X	60	M 12	16	4	45	3	17	12	20	160
GN 31-60-M16-50-B1-X	60	M 16	16	4	50	3	22	16	28	267
GN 31-60-M16-50-B2-X	60	M 16	16	4	50	3	22	16	25	240
GN 31-60-M16-50-B3-X	60	M 16	16	4	50	3	22	16	28	267
GN 31-60-M16-50-B4-X	60	M 16	16	4	50	3	22	16	25	267
GN 31-60-M16-50-C3-X	60	M 16	16	4	50	3	22	16	28	267
GN 31-60-M16-50-C4-X	60	M 16	16	4	50	3	22	16	25	267
GN 31-80-M8-40-B1-X	80	M 8	18	5	40	3	14	8	8	377
GN 31-80-M8-40-B2-X	80	M 8	18	5	40	3	14	8	8	334
GN 31-80-M8-40-B3-X	80	M 8	18	5	40	3	14	8	8	377
GN 31-80-M8-40-B4-X	80	M 8	18	5	40	3	14	8	8	377
GN 31-80-M8-40-C3-X	80	M 8	18	5	40	3	14	8	8	377
GN 31-80-M8-40-C4-X	80	M 8	18	5	40	3	14	8	8	377

GN 31-X STAINLESS STEEL

Description	d1	d2	h1	h2	I7 +4.0/0	s	A/F7	t	Static load in kN	
GN 31-80-M10-43-B1-X	80	M 10	18	5	43	3	14	10	13	390
GN 31-80-M10-43-B2-X	80	M 10	18	5	43	3	14	10	13	380
GN 31-80-M10-43-B3-X	80	M 10	18	5	43	3	14	10	13	390
GN 31-80-M10-43-B4-X	80	M 10	18	5	43	3	14	10	13	390
GN 31-80-M10-43-C3-X	80	M 10	18	5	43	3	14	10	13	390
GN 31-80-M10-43-C4-X	80	M 10	18	5	43	3	14	10	13	390
GN 31-80-M12-47-B1-X	80	M 12	18	5	47	3	17	12	15	410
GN 31-80-M12-47-B2-X	80	M 12	18	5	47	3	17	12	15	385
GN 31-80-M12-47-B3-X	80	M 12	18	5	47	3	17	12	15	410
GN 31-80-M12-47-B4-X	80	M 12	18	5	47	3	17	12	15	410
GN 31-80-M12-47-C3-X	80	M 12	18	5	47	3	17	12	15	410
GN 31-80-M12-47-C4-X	80	M 12	18	5	47	3	17	12	15	410
GN 31-80-M16-52-B1-X	80	M 16	18	5	52	3	22	16	19	430
GN 31-80-M16-52-B2-X	80	M 16	18	5	52	3	22	16	15	390
GN 31-80-M16-52-B3-X	80	M 16	18	5	52	3	22	16	19	430
GN 31-80-M16-52-B4-X	80	M 16	18	5	52	3	22	16	15	430
GN 31-80-M16-52-C3-X	80	M 16	18	5	52	3	22	16	19	430
GN 31-80-M16-52-C4-X	80	M 16	18	5	52	3	22	16	15	430
GN 31-80-M20-60-B1-X	80	M 20	18	5	60	3	27	20	19	460
GN 31-80-M20-60-B2-X	80	M 20	18	5	60	3	27	20	15	440
GN 31-80-M20-60-B3-X	80	M 20	18	5	60	3	27	20	19	460
GN 31-80-M20-60-B4-X	80	M 20	18	5	60	3	27	20	15	460
GN 31-80-M20-60-C3-X	80	M 20	18	5	60	3	27	20	19	460
GN 31-80-M20-60-C4-X	80	M 20	18	5	60	3	27	20	15	460
GN 31-100-M8-42-B1-X	100	M 8	20	6	42	3	14	8	8	500
GN 31-100-M8-42-B2-X	100	M 8	20	6	42	3	14	8	8	480
GN 31-100-M8-42-B3-X	100	M 8	20	6	42	3	14	8	8	500
GN 31-100-M8-42-B4-X	100	M 8	20	6	42	3	14	8	8	500
GN 31-100-M8-42-C3-X	100	M 8	20	6	42	3	14	8	8	500
GN 31-100-M8-42-C4-X	100	M 8	20	6	42	3	14	8	8	500
GN 31-100-M10-45-B1-X	100	M 10	20	6	45	3	14	10	13	520
GN 31-100-M10-45-B2-X	100	M 10	20	6	45	3	14	10	13	490
GN 31-100-M10-45-B3-X	100	M 10	20	6	45	3	14	10	13	520
GN 31-100-M10-45-B4-X	100	M 10	20	6	45	3	14	10	13	520
GN 31-100-M10-45-C3-X	100	M 10	20	6	45	3	14	10	13	520
GN 31-100-M10-45-C4-X	100	M 10	20	6	45	3	14	10	13	520
GN 31-100-M12-49-B1-X	100	M 12	20	6	49	3	17	12	17	550
GN 31-100-M12-49-B2-X	100	M 12	20	6	49	3	17	12	14	530
GN 31-100-M12-49-B3-X	100	M 12	20	6	49	3	17	12	17	550
GN 31-100-M12-49-B4-X	100	M 12	20	6	49	3	17	12	14	550
GN 31-100-M12-49-C3-X	100	M 12	20	6	49	3	17	12	17	550
GN 31-100-M12-49-C4-X	100	M 12	20	6	49	3	17	12	14	550
GN 31-100-M16-54-B1-X	100	M 16	20	6	54	3	22	16	17	590
GN 31-100-M16-54-B2-X	100	M 16	20	6	54	3	22	16	14	590
GN 31-100-M16-54-B3-X	100	M 16	20	6	54	3	22	16	17	590
GN 31-100-M16-54-B4-X	100	M 16	20	6	54	3	22	16	14	590
GN 31-100-M16-54-C3-X	100	M 16	20	6	54	3	22	16	17	590
GN 31-100-M16-54-C4-X	100	M 16	20	6	54	3	22	16	14	590
GN 31-100-M20-62-B1-X	100	M 20	20	6	62	3	27	20	17	600
GN 31-100-M20-62-B2-X	100	M 20	20	6	62	3	27	20	14	585
GN 31-100-M20-62-B3-X	100	M 20	20	6	62	3	27	20	17	600
GN 31-100-M20-62-B4-X	100	M 20	20	6	62	3	27	20	14	600
GN 31-100-M20-62-C3-X	100	M 20	20	6	62	3	27	20	17	600
GN 31-100-M20-62-C4-X	100	M 20	20	6	62	3	27	20	14	600
GN 31-120-M20-65-B1-X	120	M 20	22	6	62	4	27	20	25	800
GN 31-120-M20-65-B2-X	120	M 20	22	6	62	4	27	20	22	680



Levelling elements 11